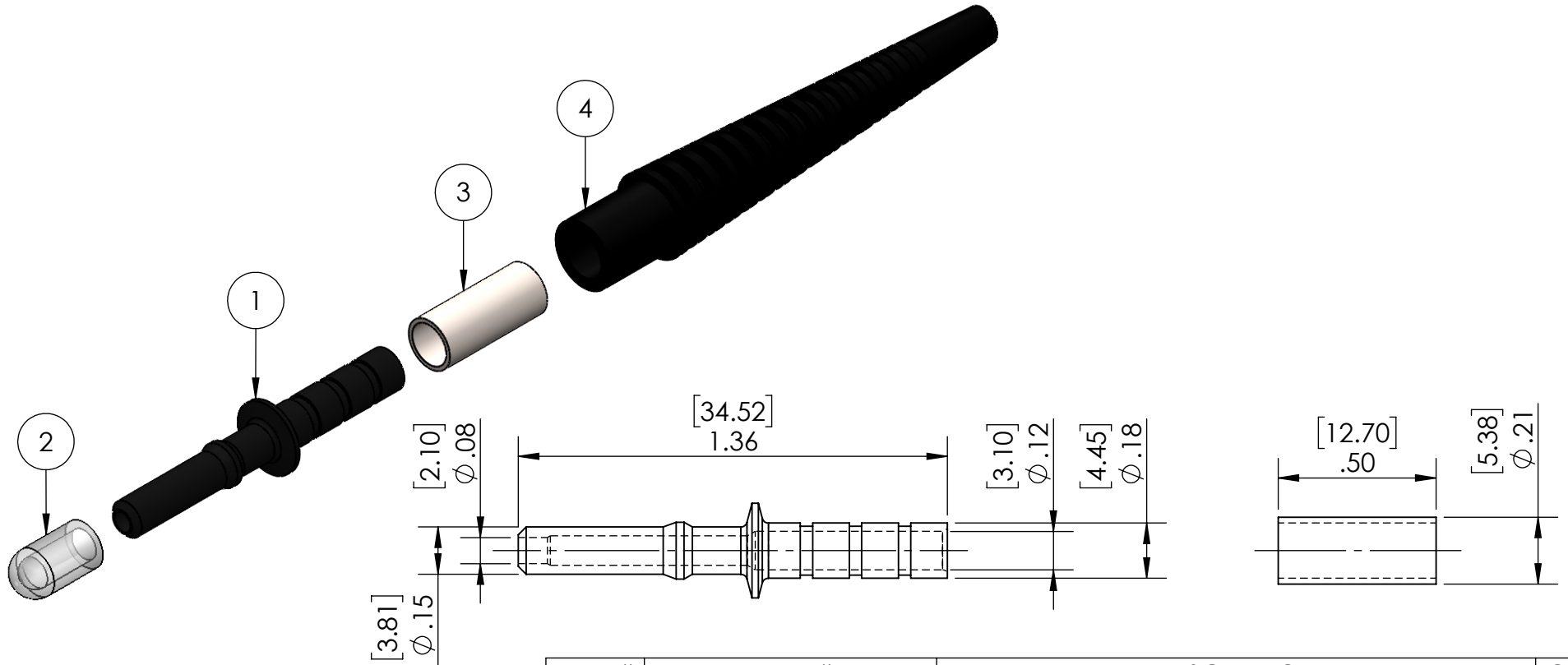


REVISIONS

REV.	DESCRIPTION	DATE	APPROVED
A	PART CREATION	2/22/2024	PM



ITEM #	PART #	DESCRIPTION	QTY.
1	FF-FCRL-4501z-E	VL Connector for 2.1mm Core, 3.0mm Jacket	1
2	FF-DC125-CLR	Dust Cap, 0.125 in I.D.	1
3	FF-SPSMA-Crimp_Ring	Amphenol Crimp Ring (905-5085-1)	1
4	FF-SNSTR-BLK	SMA Strain Relief, Black	1

UNLESS OTHERWISE SPECIFIED:

DIMENSIONS ARE IN INCHES

UNITS
[mm]
in

DIMENSIONS BASED UPON
ANSI Y 14.5M-1994

MATERIAL
BLACK DELRIN
FINISH

DO NOT SCALE DRAWING

	NAME	DATE
DRAWN	RH	2/22/2024
CHECKED		
ENG APPR.		
MFG APPR.		

Q.A.

COMMENTS:

FiberFin
9925 State Route 47
Unit A
Yorkville, IL 60560
U.S.A.

TITLE
Versatile Link Connector for:
2.1mm Core with 3.0mm Jacket

SIZE	PART NO.	REV
A	FF-FCRL-4501z-E	A

SCALE: 2:1 WEIGHT: SHEET 1 OF 1

CONFIDENTIALITY NOTICE:

THIS INFORMATION IS OWNED BY FIBERFIN, INC. AND CONTAINS MATERIALS CONCERNING FIBERFIN, INC. INTELLECTUAL PROPERTY RIGHTS, BUSINESS PLANS, CUSTOMERS, AND PRODUCTS THAT ARE CONFIDENTIAL AND OF SUBSTANTIAL VALUE TO FIBERFIN, INC. YOU ARE HEREBY NOTIFIED THAT ANY DISSEMINATION, DISTRIBUTION, OR COPYING OF THIS CONFIDENTIAL INFORMATION WITHOUT PRIOR WRITTEN PERMISSION FROM FIBERFIN, INC. IS STRICTLY PROHIBITED. IN RECEIVING THIS INFORMATION, YOU AGREE THAT YOU SHALL NOT DISCLOSE ANY SUCH CONFIDENTIAL INFORMATION TO ANY THIRD PARTY AND SHALL TAKE EVERY REASONABLE PRECAUTION TO PROTECT SUCH CONFIDENTIAL INFORMATION FROM SUCH DISCLOSURE. IN THE EVENT YOU ARE ASKED TO RETURN THE CONFIDENTIAL INFORMATION TO FIBERFIN, INC., THERE SHALL BE NO USE OR DISCLOSURE BY YOU OF ANY CONFIDENTIAL INFORMATION.

ALL RIGHTS RESERVED BY FIBERFIN, INC.