

SMI Passives



SMI long and short body connectors, short body release tool, and SMI adapter flange mount.

Datasheet



DESCRIPTION

Firecomms SMI Plugs and passive Connectors provide both data and command and control connections for medical, industrial, consumer and end-user applications. This plastic optical fiber system provides high EMI/EMC immunity between devices, cabinets, and equipment. The fiber and plugs are a simple assembly suitable for field installation with a small form factor. The cable assemblies are robust tolerating a small bend radius in the fiber and harsh environmental conditions.

APPLICATIONS

- Medical; Data and video transmission, medical diagnostic equipment
- Transportation, Factory automation
- Power electronic control and isolation
- Industrial Networking

FEATURES

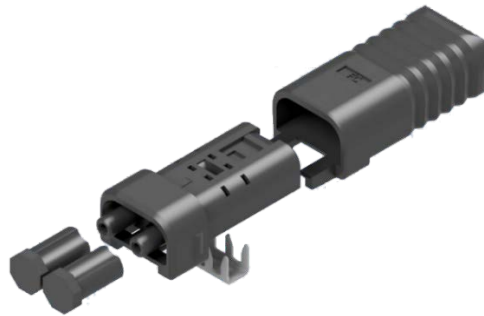
- Small form factor ideal for limited space
- The plastic material of both the plugs, fiber (PMMA) and passive interconnects are 100% immune to EMI/EMC and RFI providing the maximum immunity for control and data signaling
- Ideal for panel mounting
- Lightweight and easy to handle
- Simple field termination
- Minimal post assembly polishing using standard grit paper
- Push-pull positive latching with safe-release mechanism for industrial and consumer applications offers secure, safe, and easy mate/de-mate
- RoHS Compliant

SMI PASSIVES SPECIFICATIONS

SMI Passive Connectors Specifications

Parameter	Symbol	Min	Typical	Max	Unit
Storage Temperature	T_{stg}	-40		+85	°C
Operating Temperature	T_{op}	-40		+85	°C
Installation Temperature	T_i	0		+70	°C
Durability, Mating Cycles		500			

SMI LONG BODY CONNECTOR
P/N FP-00C-3F0



MECHANICAL DATA

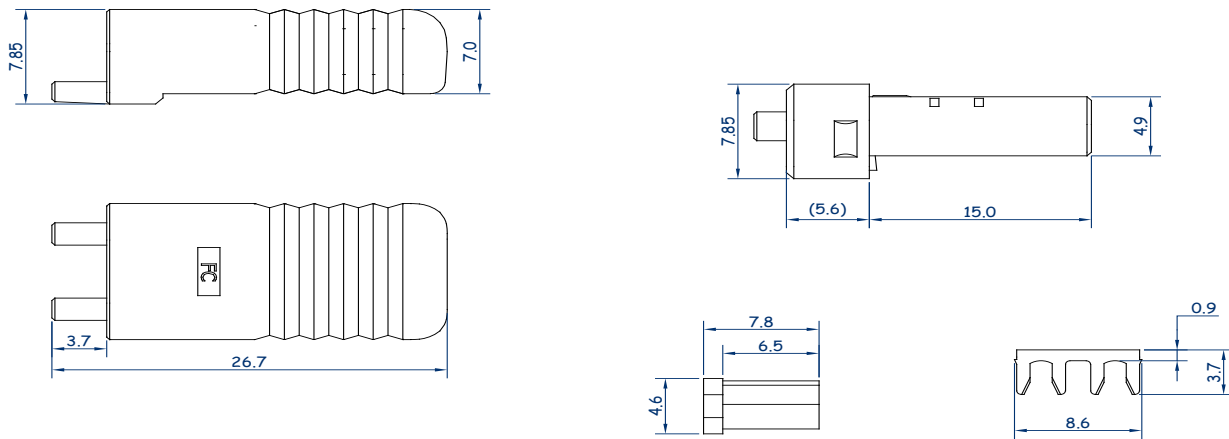


FIGURE 1 Mechanical dimensions of SMI Long Body Connector

PACKAGING SPECIFICATIONS

NOTE: FP-00C-3F0 is supplied as 4 bags of components ready for assembly as follows

Description	Qty per Bag	Bag Size
SMI Long Body Connector Housing	50	6" x 4"
SMI Long Body Connector Cover	50	3" x 4"
SMI Connector Plug Cap	100	2" x 3"
SMI Connector Fiber Stopper	50	2" x 3"

SMI SHORT BODY CONNECTOR
P/N FP-00C-2F0



MECHANICAL DATA

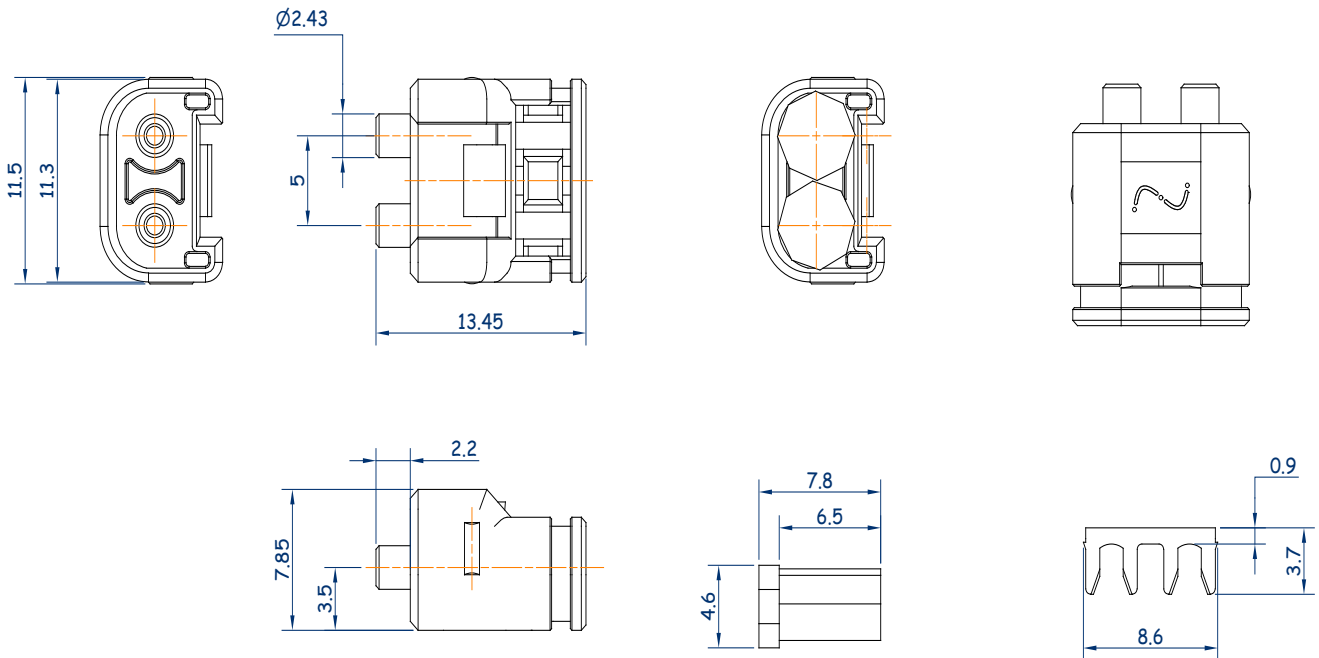


FIGURE 2 Mechanical dimensions of SMI Short Body Connector

PACKAGING SPECIFICATIONS

NOTE: FP-00C-2F0 is supplied as 3 bags of components ready for assembly as follows

Description	Qty per Bag	Bag Size
SMI Short Body Connector Housing	50	3" x 4"
SMI Connector Plug Cap	100	2" x 3"
SMI Connector Fiber Stopper (Non-Magnetic)	50	2" x 3"

SMI SHORT BODY CONNECTOR RELEASE TOOL
P/N FA-CRT-SSU



MECHANICAL DATA

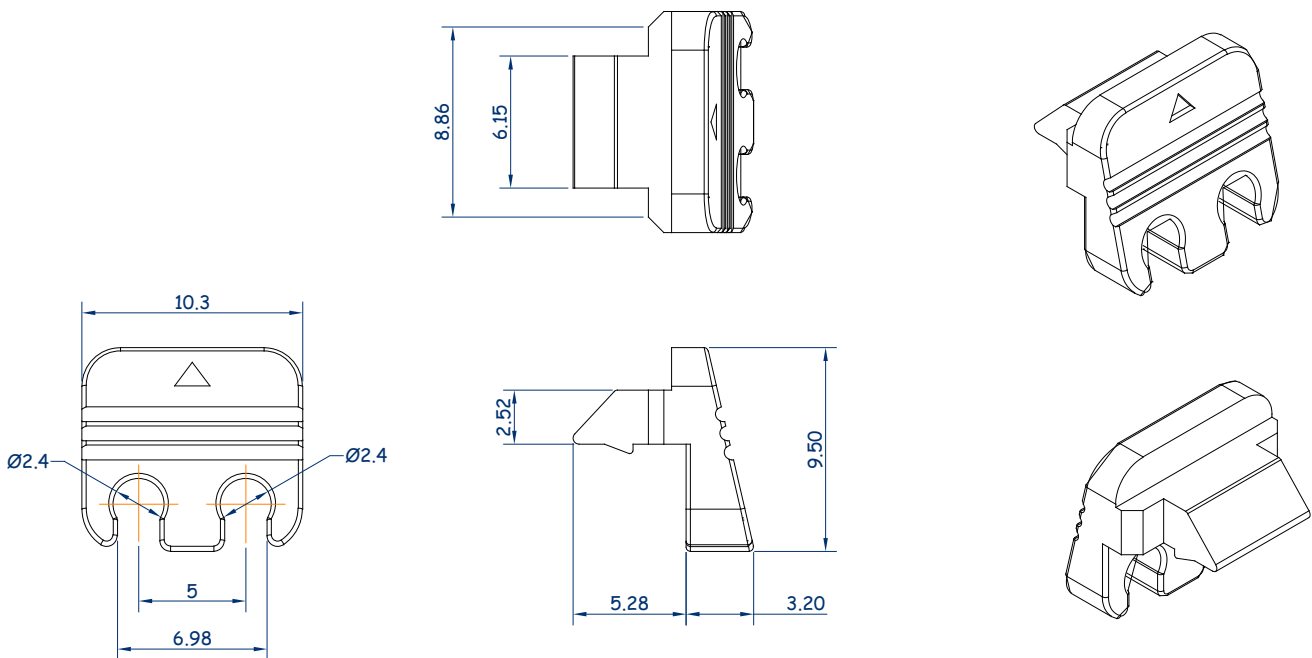
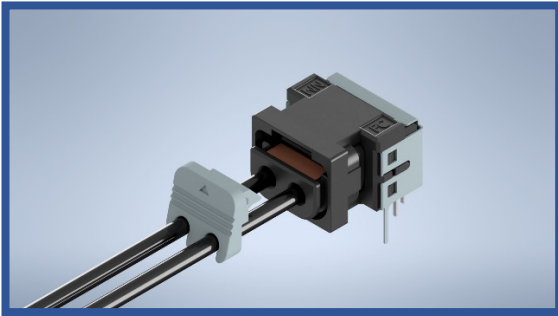


FIGURE 3 Mechanical dimensions of SMI Short Connector Release Tool

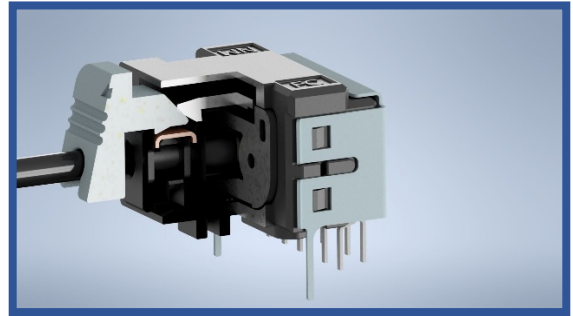
PACKAGING SPECIFICATIONS

Description	Qty per Bag	Bag Size
SMI Short Body Connector Release Tool	100	12" x 15"

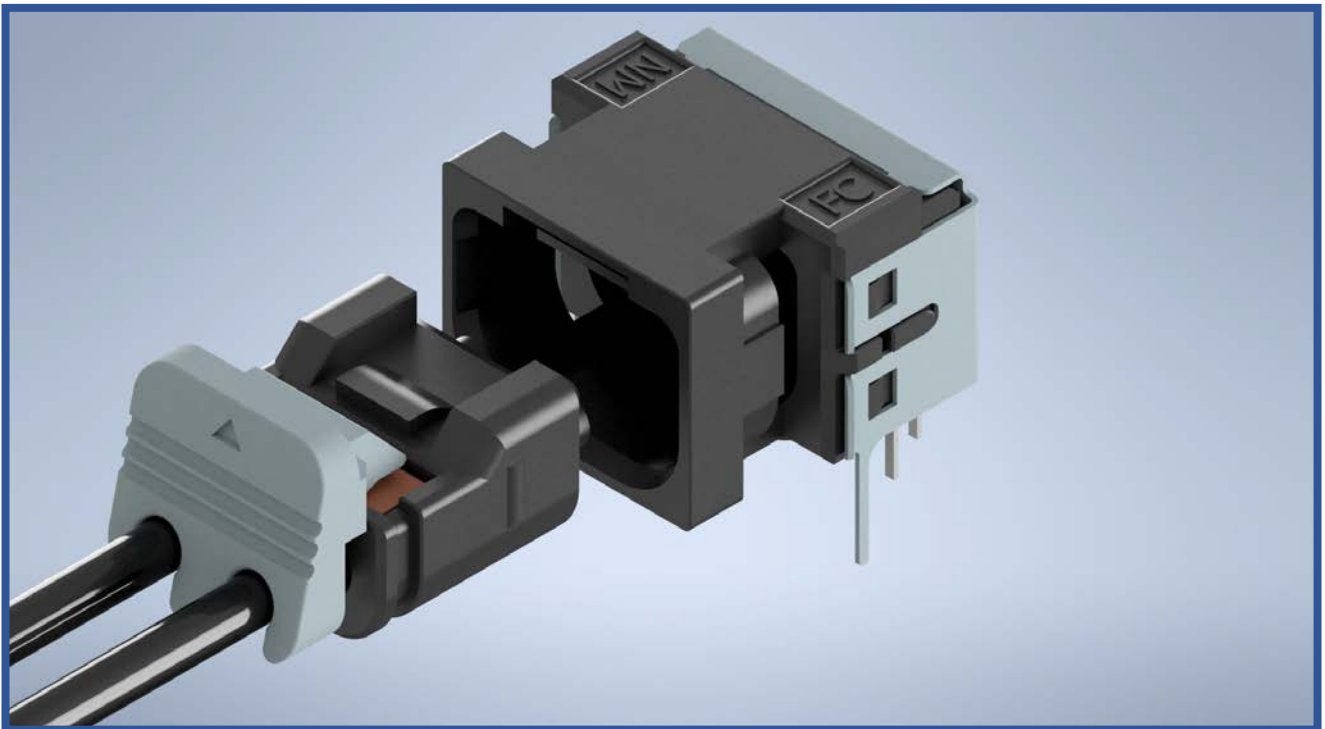
RELEASE TOOL USAGE



1. Adjust release tool to POF cable.



2. Insert release tool's clip in between the short body plug and SMI Transceiver.



3. Dis-engage release tool with short body plug from SMI Transceiver.

**SMI ADAPTER FLANGE MOUNT
P/N FA-BFG-SPD**



MECHANICAL DATA

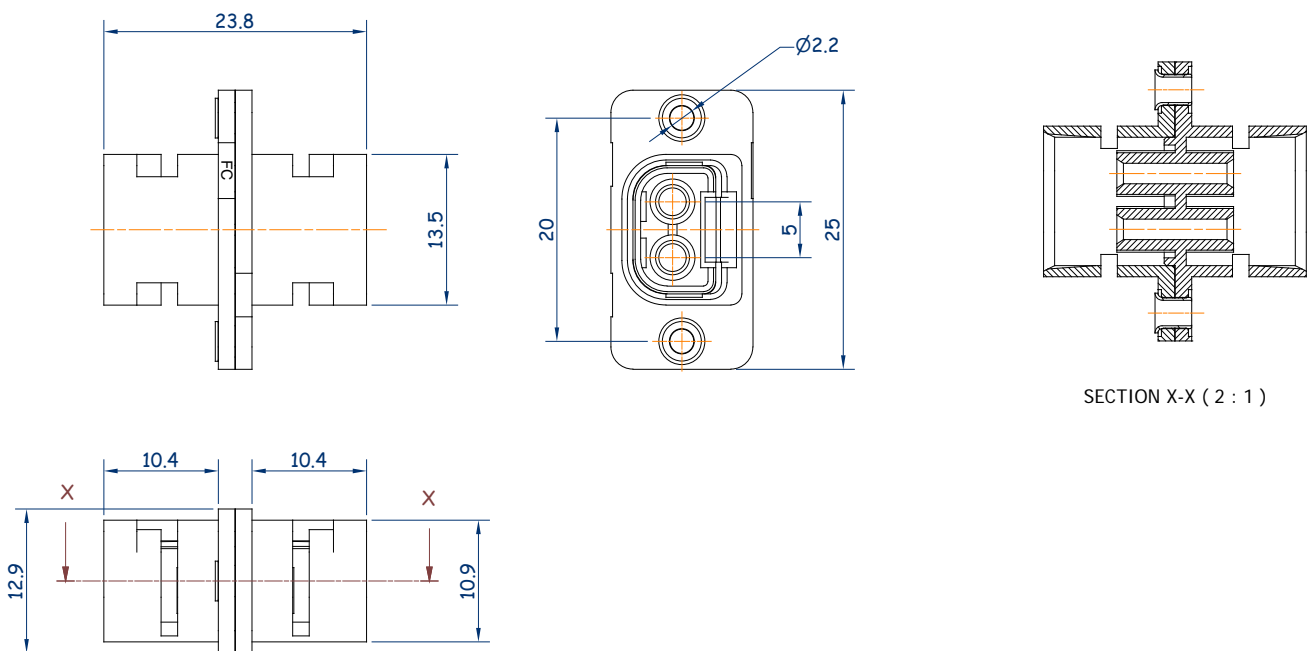


FIGURE 4 Mechanical dimensions of SMI Adapter Flange Mount

PACKAGING SPECIFICATIONS

Description	Qty per Bag	Bag Size
SMI Adapter Flange Mount Grey	100	10" x 12"

For the most recent revision or further information please visit www.firecomms.com or contact the company directly at the following address, Firecomms Ltd, 2200 Airport Business Park, IRELAND. Copyright© 2004-2022 Firecomms. All rights reserved. Firecomms refers to Firecomms Limited and/or its subsidiaries. Firecomms assumes no responsibility for inaccuracies or omissions in the information contained in this document. Specifications are subject to change without notice. No patent rights are granted to any of the circuits described herein.