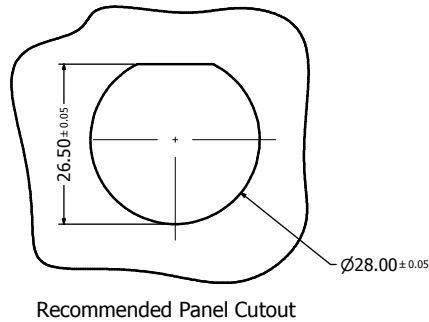
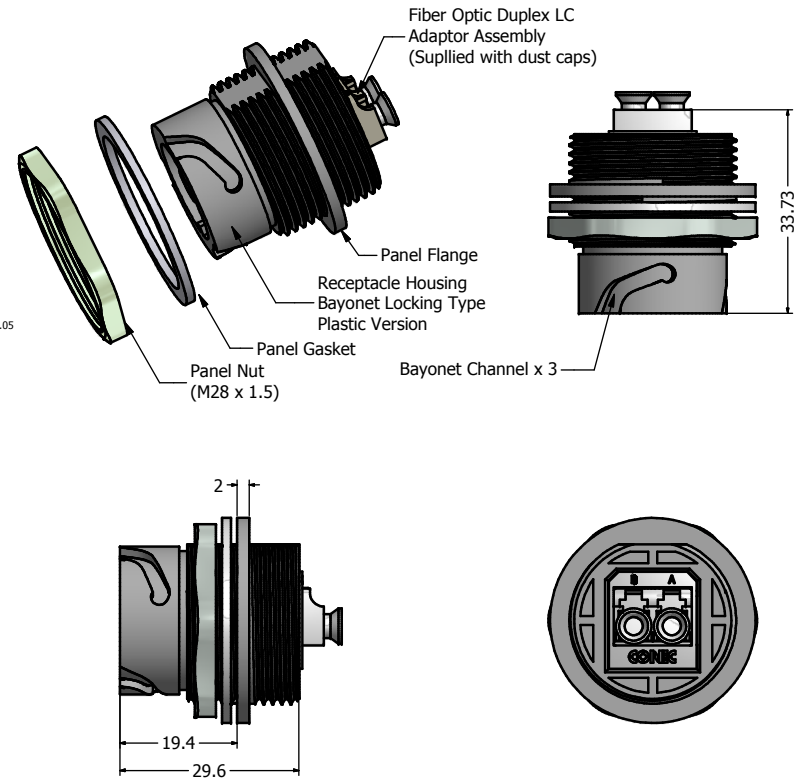
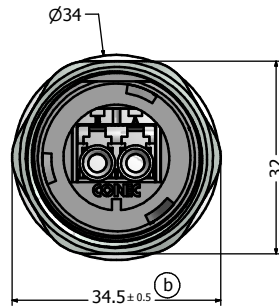


Protective Cover
Bayonet Locking Style
Plastic Version



Recommended Panel Cutout



Notes:

- Material and Finish:
 - Receptacle Housing, Protective Cover: Polyester (Black); UL94 V-0
 - Panel Nut: Brass, Finish: Nickel Plated
 - Panel Gasket: Silicon, Color: White
 - Cover Gasket: Silicon, Color: White
 - Tether: Polycarbonate, Color: Black

Duplex LC Adaptor Assembly:

- Housing: Mod. PPO, UL94 V-0, Color: **SM Blue/MM Beige/APC SM Green**
- Alignment Sleeves: SM Ceramic/MM Phosphor Bronze
- Dust Cap: PP, Color: Neutral transparent
- Operating Temperature: -40~C to +85~C

2. Connector can be front or rear mounted to a maximum panel thickness of 3.2mm.

3. IP67 rated when covered or fully mated with the appropriate mating connector

Directive 2002/95/EC RoHS Compliant

Description	Part Number
Plastic Duplex LC Single Mode Receptacle Assembly + Cover Assembly	17-300230
Plastic Duplex LC Multi Mode Receptacle Assembly + Cover Assembly	17-300240
Plastic Duplex LC APC Single Mode Receptacle Assembly + Cover Assembly	17-300250

THIS DRAWING MAY NOT BE COPIED OR REPRODUCED IN ANY MANNER WITHOUT THE WRITTEN PERMISSION OF CONECC CORPORATION AND MAY NOT BE PASSED ON TO A THIRD PARTY WITHOUT WRITTEN PERMISSION. OWNERSHIP AND COPYRIGHT OF CONECC CORPORATION.	Customer:			Tolerance Unless otherwise specified 0 PLC ± 0.50 1 PLC ± 0.38 2 PLC ± 0.25 3 PLC ± 0.10 ANGLES ± 3°		Scale: 1.5:1	Dim. in mm
	Name	Title	Approval Date			Material: See Notes	
				2011	Date	Name	Title: IP67 Industrial Duplex LC Receptacle Assembly + Cover Assembly Plastic version
				Draw.	Mar. 04	Vincent Ke	
				Appd.	Mar. 04	J. Chaudry	
				Norm		Drawing No.: 17K1A217	
				D-old			
b	2 x b	Sep/25/2013	Vincent Ke			Part No.: SEE ABOVE TABLE	DIN A3
a	original					Sheet 1/1	
Rev.	Changes	Date	Name				