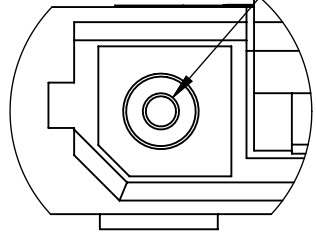
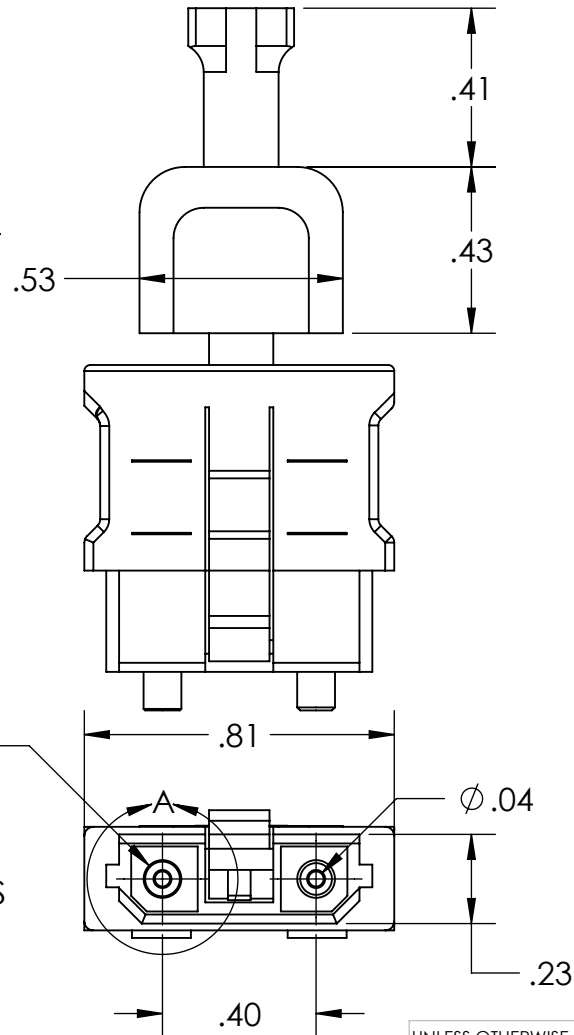


FIBER END
COUNTERSUNK FOR
HOT-PLATE FINISHING



DETAIL A
SCALE 4 : 1

Ø.10

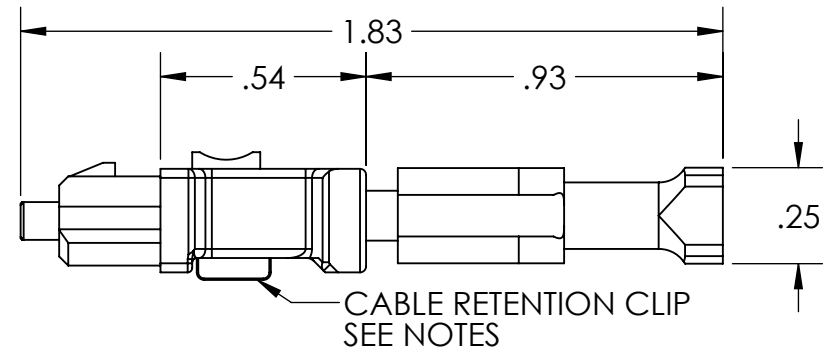
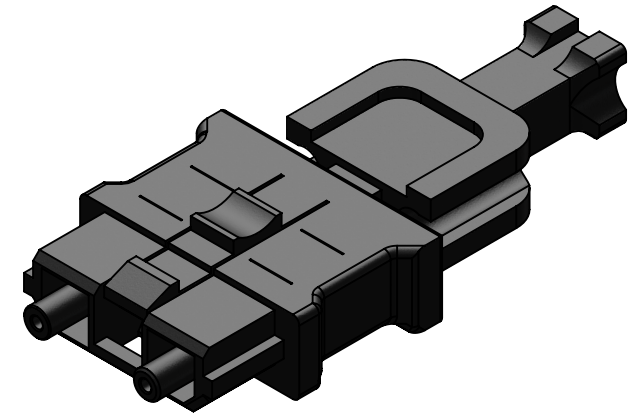


- NOTES:
1. CABLE RETENTION CLIPS ARE PART OF THE CONNECTOR
 2. METAL CLIP IS FULLY DEPRESSED IN CONNECTOR ONCE FIBER IS CLAMPED IN PLACE

CONFIDENTIALITY NOTICE:

THIS INFORMATION IS OWNED BY FIBERFIN, INC. AND CONTAINS MATERIALS CONCERNING FIBERFIN, INC. INTELLECTUAL PROPERTY RIGHTS, BUSINESS PLANS, CUSTOMERS, AND PRODUCTS THAT ARE CONFIDENTIAL AND OF SUBSTANTIAL VALUE TO FIBERFIN, INC. YOU ARE HEREBY NOTIFIED THAT ANY DISSEMINATION, DISTRIBUTION, OR COPYING OF THIS CONFIDENTIAL INFORMATION WITHOUT PRIOR WRITTEN PERMISSION FROM FIBERFIN, INC. IS STRICTLY PROHIBITED. IN RECEIVING THIS INFORMATION, YOU AGREE THAT YOU SHALL NOT DISCLOSE ANY SUCH CONFIDENTIAL INFORMATION TO ANY THIRD PARTY AND SHALL TAKE EVERY REASONABLE PRECAUTION TO PROTECT SUCH CONFIDENTIAL INFORMATION FROM SUCH DISCLOSURE. IN THE EVENT YOU ARE ASKED TO RETURN THE CONFIDENTIAL INFORMATION TO FIBERFIN, INC., THERE SHALL BE NO USE OR DISCLOSURE BY YOU OF ANY CONFIDENTIAL INFORMATION.

ALL RIGHTS RESERVED BY FIBERFIN, INC.



UNLESS OTHERWISE SPECIFIED:

DIMENSIONS ARE IN INCHES

DIMENSIONS BASED UPON
ANSI Y 14.5M-1994

MATERIAL

FINISH

DO NOT SCALE DRAWING

NAME

DATE

DRAWN	BJS	2019-06-27
CHECKED		
ENG APPR.		
MFG APPR.		

Q.A.

COMMENTS:

FiberFin

9925 State Route 47
Unit A
Yorkville, IL 60560
U.S.A.

TITLE

TOSLink PN F07, W/ Handle, Honda

SIZE

A

PART NO.

FF-TLPNF07-H WH

REV

SCALE: 2:1

WEIGHT:

SHEET 1 OF 1