

# Product Specifications

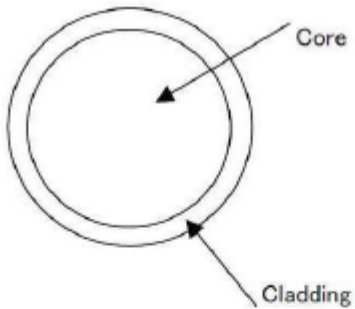
**Product No: Part# FF-HSN14.0**

## 1. Scope

This specification covers basic requirements for the structure and optical performances of FF-HSN14.0.

Side Emitting Fiber, 14.0 mm dia. Fiber, Exterior appearance clear, Cable flexible

## 2. Structure

<b>Product Data:</b> 1. Fiber core material           MMA Polymer 2. Cladding material            PTFE 3. Minimum bending radius   6 x diameter 4. Wavelength range           400-700nm 5. Interior Refractive Index   1.475 6. Exterior Refractive Index   1.375		
---	--	---

### Specifications:

Item		Unit	Index	Testing method
Structural Parameters	Core diameter	mm	13.2	JIS C 6863
	Cladding diameter	mm	14	
	Cladding non-circularity	%	≤ 6	
	Length	m/roll	100	
Optical Properties	Attenuation	dB/km	≤ 700	650nm JIS C 6863
	Numerical Apertures	/	0.65	
	Attenuation (95% RH)	dB/km	300-350	
Mechanical Properties	Repeated bending (200times)	dB	Loss added ≤ 2	JIS C 6861
	Tensile strength	N	70	
	Twisting (5times)	dB	Loss added ≤ 2	
	Impacting (0.4N/meter)	dB	Loss added ≤ 2	

Operating temperature: -40°C to 70°C

Recommended Storage temperature: -10°C to 35°C