

Product Specifications

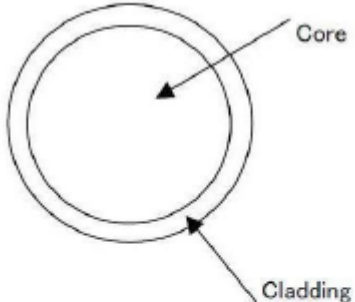
Product No: Part# FF-HSN12.0

1. Scope

This specification covers basic requirements for the structure and optical performances of FF-HSN12.0.

Side Emitting Fiber, 12.0 mm dia. Fiber, Exterior appearance clear, Cable flexible

2. Structure

<p>Product Data:</p> <p>1. Fiber core material MMA Polymer</p> <p>2. Cladding material PTFE</p> <p>3. Minimum bending radius 6 x diameter</p> <p>4. Wavelength range 400-700nm</p> <p>5. Interior Refractive Index 1.475</p> <p>6. Exterior Refractive Index 1.375</p>	
---	--

Specifications:

Item		Unit	Index	Testing method
Structural Parameters	Core diameter	mm	11.2	JIS C 6863
	Cladding diameter	mm	12	
	Cladding non-circularity	%	≤ 6	
	Length	m/roll	100	
Optical Properties	Attenuation	dB/km	≤ 700	650nm JIS C 6863
	Numerical Apertures	/	0.65	
	Attenuation (95% RH)	dB/km	300-350	
Mechanical Properties	Repeated bending (200times)	dB	Loss added ≤ 2	JIS C 6861
	Tensile strength	N	70	
	Twisting (5times)	dB	Loss added ≤ 2	
	Impacting (0.4N/meter)	dB	Loss added ≤ 2	

Operating temperature: -40°C to 70°C

Recommended Storage temperature: -10°C to 35°C