

Product Specifications

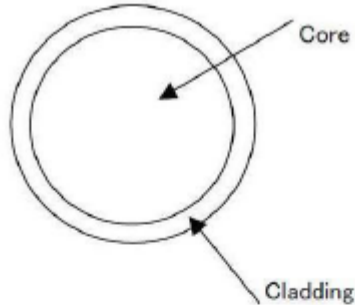
Product No: Part# FF-HSN10.0

1. Scope

This specification covers basic requirements for the structure and optical performances of FF-HSN10.0.

Side Emitting Fiber, 10.0 mm dia. Fiber, Exterior appearance clear, Cable flexible

2. Structure

Product Data:		
1. Fiber core material	MMA Polymer	
2. Cladding material	PTFE	
3. Minimum bending radius	6 x diameter	
4. Wavelength range	400-700nm	
5. Interior Refractive Index	1.475	
6. Exterior Refractive Index	1.375	

Specifications:

Item		Unit	Index	Testing method
Structural Parameters	Core diameter	mm	9.3	JIS C 6863
	Cladding diameter	mm	10	
	Cladding non-circularity	%	≤ 6	
	Length	m/roll	100	
Optical Properties	Attenuation	dB/km	≤ 700	650nm JIS C 6863
	Numerical Apertures	/	0.65	
	Attenuation (95% RH)	dB/km	300-350	
Mechanical Properties	Repeated bending (200times)	dB	Loss added ≤ 2	JIS C 6861
	Tensile strength	N	70	
	Twisting (5times)	dB	Loss added ≤ 2	
	Impacting (0.4N/meter)	dB	Loss added ≤ 2	

Operating temperature: - 40°C to 70°C

Recommended Storage temperature: -10°C to 35°C