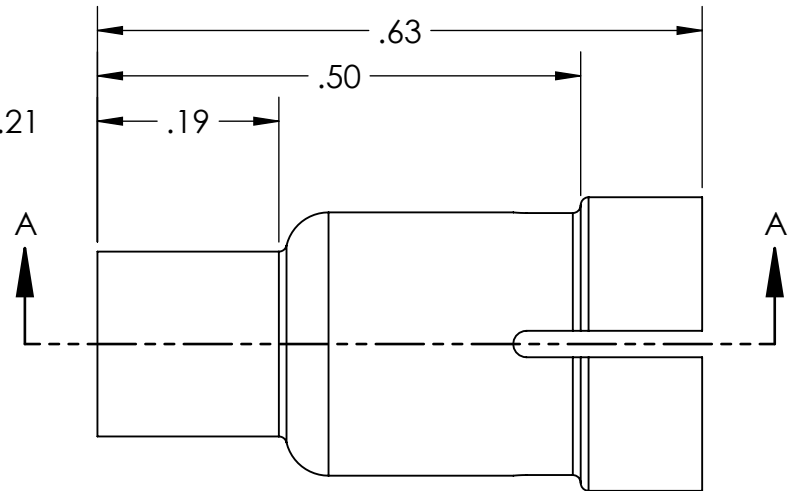
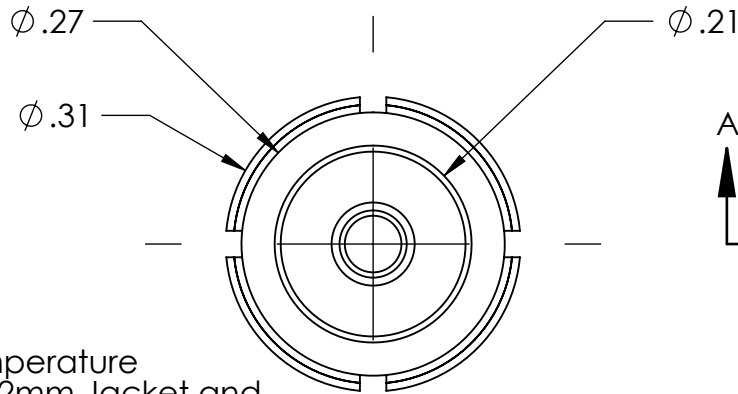


SECTION A-A



- RoHS Compliant
- UL 94V-2 Flammability Rating
- -40 C To 85 C Operating Temperature
- Suitable for Light Pipe with 2.2mm Jacket and Optical Core no greater than 1.5mm.
- Do not wave solder with this device.
- For best results use only narrow viewing angle non-diffused LED's with output power greater than 100mcd.
- Not recommended for DATA Communications.

CONFIDENTIALITY NOTICE:

THIS INFORMATION IS OWNED BY FIBERFIN, INC. AND CONTAINS MATERIALS CONCERNING FIBERFIN, INC. INTELLECTUAL PROPERTY RIGHTS, BUSINESS PLANS, CUSTOMERS, AND PRODUCTS THAT ARE CONFIDENTIAL AND OF SUBSTANTIAL VALUE TO FIBERFIN, INC. YOU ARE HEREBY NOTIFIED THAT ANY DISSEMINATION, DISTRIBUTION, OR COPYING OF THIS CONFIDENTIAL INFORMATION WITHOUT PRIOR WRITTEN PERMISSION FROM FIBERFIN, INC. IS STRICTLY PROHIBITED. IN RECEIVING THIS INFORMATION, YOU AGREE THAT YOU SHALL NOT DISCLOSE ANY SUCH CONFIDENTIAL INFORMATION TO ANY THIRD PARTY AND SHALL TAKE EVERY REASONABLE PRECAUTION TO PROTECT SUCH CONFIDENTIAL INFORMATION FROM SUCH DISCLOSURE. IN THE EVENT YOU ARE ASKED TO RETURN THE CONFIDENTIAL INFORMATION TO FIBERFIN, INC., THERE SHALL BE NO USE OR DISCLOSURE BY YOU OF ANY CONFIDENTIAL INFORMATION.

ALL RIGHTS RESERVED BY FIBERFIN, INC.

UNLESS OTHERWISE SPECIFIED:

DIMENSIONS ARE IN INCHES

DIMENSIONS BASED UPON  
ANSI Y 14.5M-1994

MATERIAL

FINISH

DO NOT SCALE DRAWING

NAME DATE

DRAWN	BJS	2019-07-16
CHECKED		
ENG APPR.		
MFG APPR.		

Q.A.

COMMENTS:

**FiberFin**

9925 State Route 47  
Unit A  
Yorkville, IL 60560  
U.S.A.

TITLE

Light Pipe Vertical LED Mount, T1-3/4 LED

SIZE	PART NO.	REV
<b>A</b>	FF-LPLEDMTV-5.0-2.2	

SCALE: 5:1	WEIGHT:	SHEET 1 OF 1
------------	---------	--------------