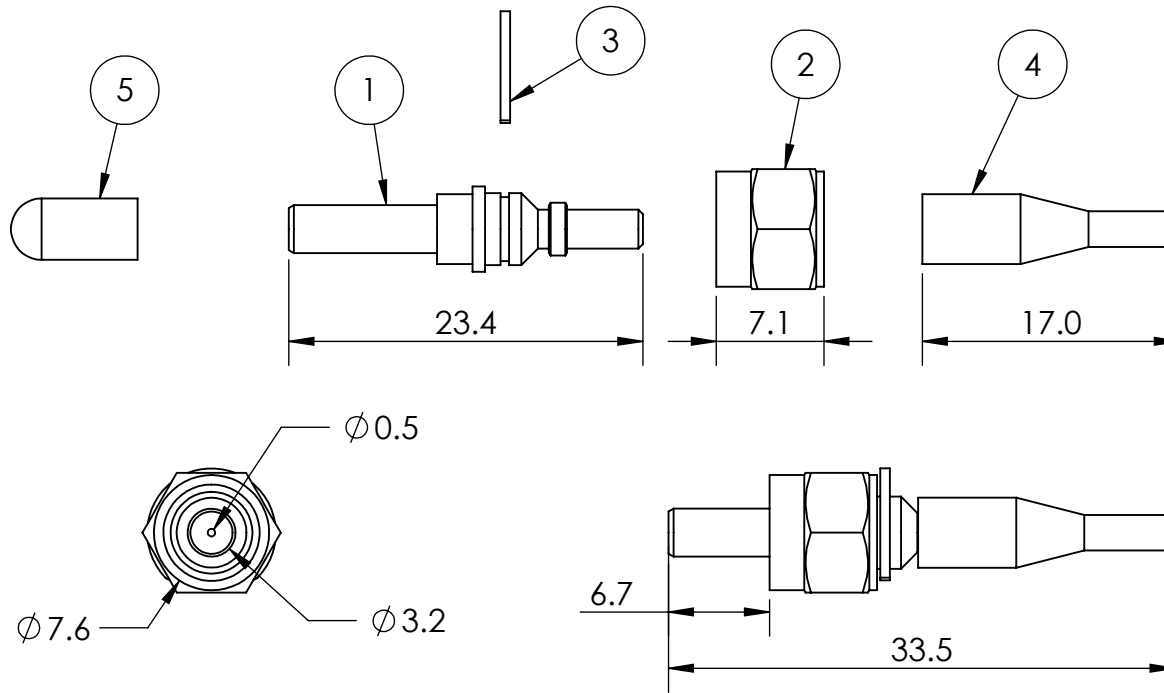


REV.	DESCRIPTION	DATE
A	Supersedes FF-SSMA510	6/15/2023



ITEM #	PART #	DESCRIPTION	QTY.
1	FF-SSMA0450	FF-SSMA0500-1 FERRULE	1
2	FF-SMA-NT-SS	SMA NUT, STAINLESS STEEL	1
3	FF-CH1235	SMA C-CLIP	1
4	FF-GIGLC-STR-X	STRAIN RELIEF, 1MM FIBER	1
5	FF-DC125-CLR	Dust Cap, 0.125 IN	1

CONFIDENTIALITY NOTICE:

THIS INFORMATION IS OWNED BY FIBERFIN, INC. AND CONTAINS MATERIALS CONCERNING FIBERFIN, INC. INTELLECTUAL PROPERTY RIGHTS, BUSINESS PLANS, CUSTOMERS, AND PRODUCTS THAT ARE CONFIDENTIAL AND OF SUBSTANTIAL VALUE TO FIBERFIN, INC. YOU ARE HEREBY NOTIFIED THAT ANY DISSEMINATION, DISTRIBUTION, OR COPYING OF THIS CONFIDENTIAL INFORMATION WITHOUT PRIOR WRITTEN PERMISSION FROM FIBERFIN, INC. IS STRICTLY PROHIBITED. IN RECEIVING THIS INFORMATION, YOU AGREE THAT YOU SHALL NOT DISCLOSE ANY SUCH CONFIDENTIAL INFORMATION TO ANY THIRD PARTY AND SHALL TAKE EVERY REASONABLE PRECAUTION TO PROTECT SUCH CONFIDENTIAL INFORMATION FROM SUCH DISCLOSURE. IN THE EVENT YOU ARE ASKED TO RETURN THE CONFIDENTIAL INFORMATION TO FIBERFIN, INC., THERE SHALL BE NO USE OR DISCLOSURE BY YOU OF ANY CONFIDENTIAL INFORMATION.

ALL RIGHTS RESERVED BY FIBERFIN, INC.

UNLESS OTHERWISE SPECIFIED:

DIMENSIONS ARE IN MILLIMETERS

DIMENSIONS BASED UPON
ANSI Y 14.5M-1994

MATERIAL
Stainless Steel

FINISH
Clear Anodize

DO NOT SCALE DRAWING

NAME DATE

DRAWN BJS 7/9/2019
CHECKED
ENG APPR.
MFG APPR.

Q.A.

COMMENTS:

FiberFin

9925 State Route 47
Unit A
Yorkville, IL 60560
U.S.A.

TITLE

SMA Connector, 500 Micron

SIZE
A

PART NO.
FF-SSMA0500-1

REV
A

SCALE: 2:1

WEIGHT:

SHEET 1 OF 1