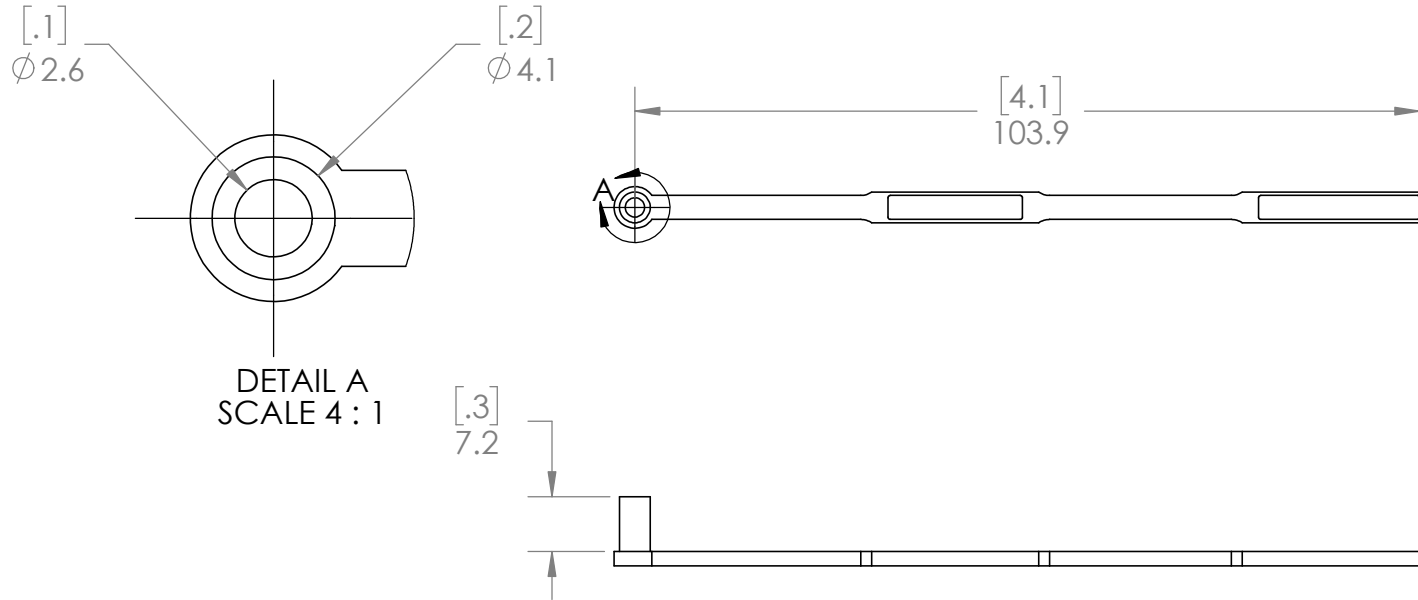


REV.	DESCRIPTION	DATE	APPROVED
-			



CONFIDENTIALITY NOTICE:

THIS INFORMATION IS OWNED BY FIBERFIN, INC. AND CONTAINS MATERIALS CONCERNING FIBERFIN, INC. INTELLECTUAL PROPERTY RIGHTS, BUSINESS PLANS, CUSTOMERS, AND PRODUCTS THAT ARE CONFIDENTIAL AND OF SUBSTANTIAL VALUE TO FIBERFIN, INC. YOU ARE HEREBY NOTIFIED THAT ANY DISSEMINATION, DISTRIBUTION, OR COPYING OF THIS CONFIDENTIAL INFORMATION WITHOUT PRIOR WRITTEN PERMISSION FROM FIBERFIN, INC. IS STRICTLY PROHIBITED. IN RECEIVING THIS INFORMATION, YOU AGREE THAT YOU SHALL NOT DISCLOSE ANY SUCH CONFIDENTIAL INFORMATION TO ANY THIRD PARTY AND SHALL TAKE EVERY REASONABLE PRECAUTION TO PROTECT SUCH CONFIDENTIAL INFORMATION FROM SUCH DISCLOSURE. IN THE EVENT YOU ARE ASKED TO RETURN THE CONFIDENTIAL INFORMATION TO FIBERFIN, INC., THERE SHALL BE NO USE OR DISCLOSURE BY YOU OF ANY CONFIDENTIAL INFORMATION.

ALL RIGHTS RESERVED BY FIBERFIN, INC.

UNLESS OTHERWISE SPECIFIED:		NAME	DATE	FiberFin 9925 State Route 47 Unit A Yorkville, IL 60560 U.S.A.	
DIMENSIONS ARE IN MILLIMETERS		DRAWN	CRW		2020-02-06
		CHECKED			
		ENG APPR.			
DIMENSIONS BASED UPON ANSI Y 14.5M-1994		MFG APPR.			
MATERIAL Black Plastic		Q.A.			
FINISH		COMMENTS:		TITLE Dust Cap, 2.5mm, Lanyard	
DO NOT SCALE DRAWING				SIZE PART NO. REV A FF-DC2.5-LAN -	
		SCALE: 1:1 WEIGHT:		SHEET 1 OF 1	