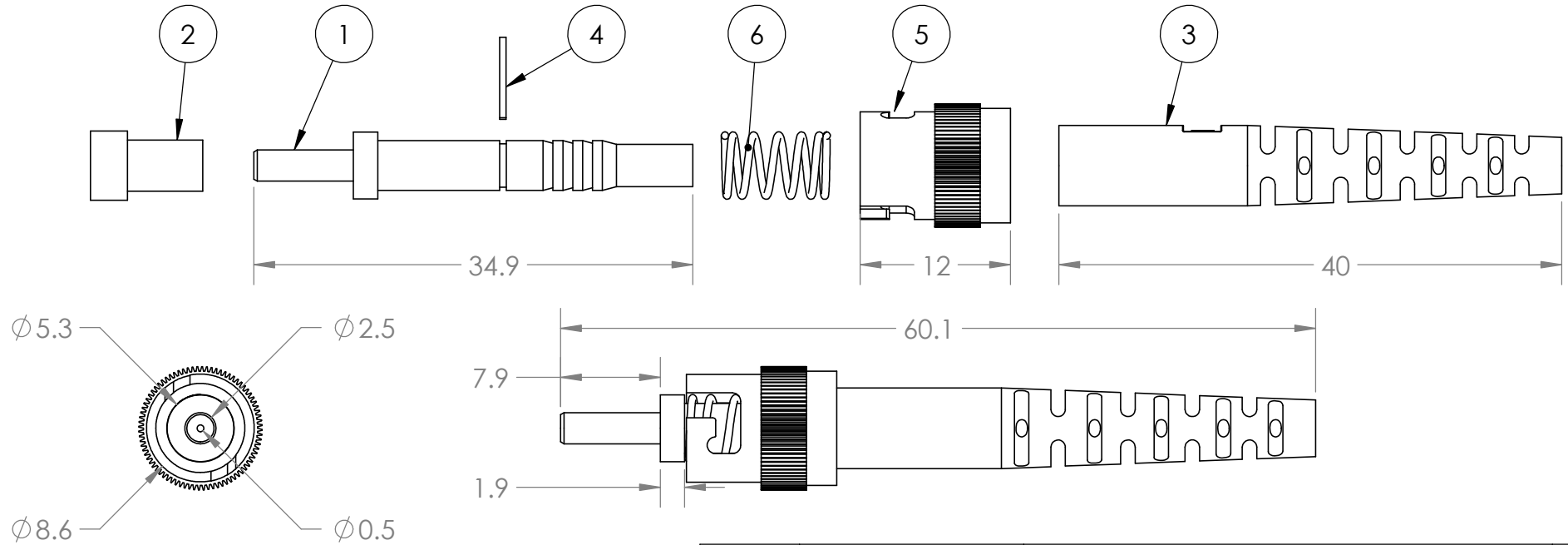


REV.	DESCRIPTION	DATE	APPROVED
-			



ITEM #	PART #	DESCRIPTION	QTY.
1	FF-ST0500	FF-ST0500 Ferrule	1
2	FF-DC2.5-CLR	Dust Cap, 2.5mm, Clear Plastic	1
3	FF-SNSTRC	ST Strain Relief	1
4	FF-CH1234	ST Retaining Clip, Stainless Steel	1
5	FF-ST-NT-M	ST Nut, Machined	1
6	FF-LS-ST-SPG1	ST Compression Spring	1

CONFIDENTIALITY NOTICE:

THIS INFORMATION IS OWNED BY FIBERFIN, INC. AND CONTAINS MATERIALS CONCERNING FIBERFIN, INC. INTELLECTUAL PROPERTY RIGHTS, BUSINESS PLANS, CUSTOMERS, AND PRODUCTS THAT ARE CONFIDENTIAL AND OF SUBSTANTIAL VALUE TO FIBERFIN, INC. YOU ARE HEREBY NOTIFIED THAT ANY DISSEMINATION, DISTRIBUTION, OR COPYING OF THIS CONFIDENTIAL INFORMATION WITHOUT PRIOR WRITTEN PERMISSION FROM FIBERFIN, INC. IS STRICTLY PROHIBITED. IN RECEIVING THIS INFORMATION, YOU AGREE THAT YOU SHALL NOT DISCLOSE ANY SUCH CONFIDENTIAL INFORMATION TO ANY THIRD PARTY AND SHALL TAKE EVERY REASONABLE PRECAUTION TO PROTECT SUCH CONFIDENTIAL INFORMATION FROM SUCH DISCLOSURE. IN THE EVENT YOU ARE ASKED TO RETURN THE CONFIDENTIAL INFORMATION TO FIBERFIN, INC., THERE SHALL BE NO USE OR DISCLOSURE BY YOU OF ANY CONFIDENTIAL INFORMATION.

ALL RIGHTS RESERVED BY FIBERFIN, INC.

UNLESS OTHERWISE SPECIFIED:

**DIMENSIONS ARE IN MILLIMETERS**

DIMENSIONS BASED UPON  
ANSI Y 14.5M-1994

MATERIAL

FINISH

DO NOT SCALE DRAWING

NAME DATE

DRAWN	CRW	2019-05-21
CHECKED		
ENG APPR.		
MFG APPR.		

Q.A.

COMMENTS:

**FiberFin**  
9925 State Route 47  
Unit A  
Yorkville, IL 60560  
U.S.A.

TITLE  
FF-ST0500 Assembly

SIZE	PART NO.	REV
<b>A</b>	FF-ST0500	-

SCALE: 2:1 WEIGHT: SHEET 1 OF 1