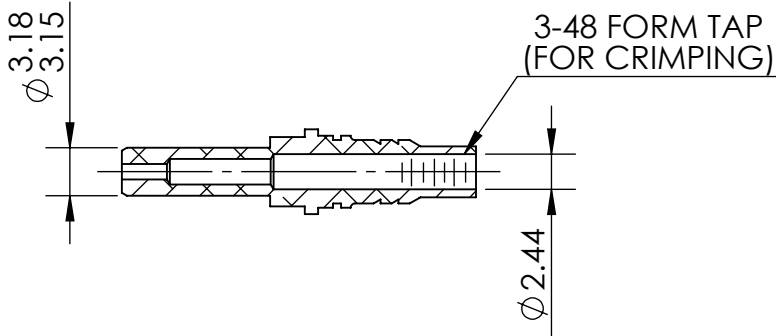
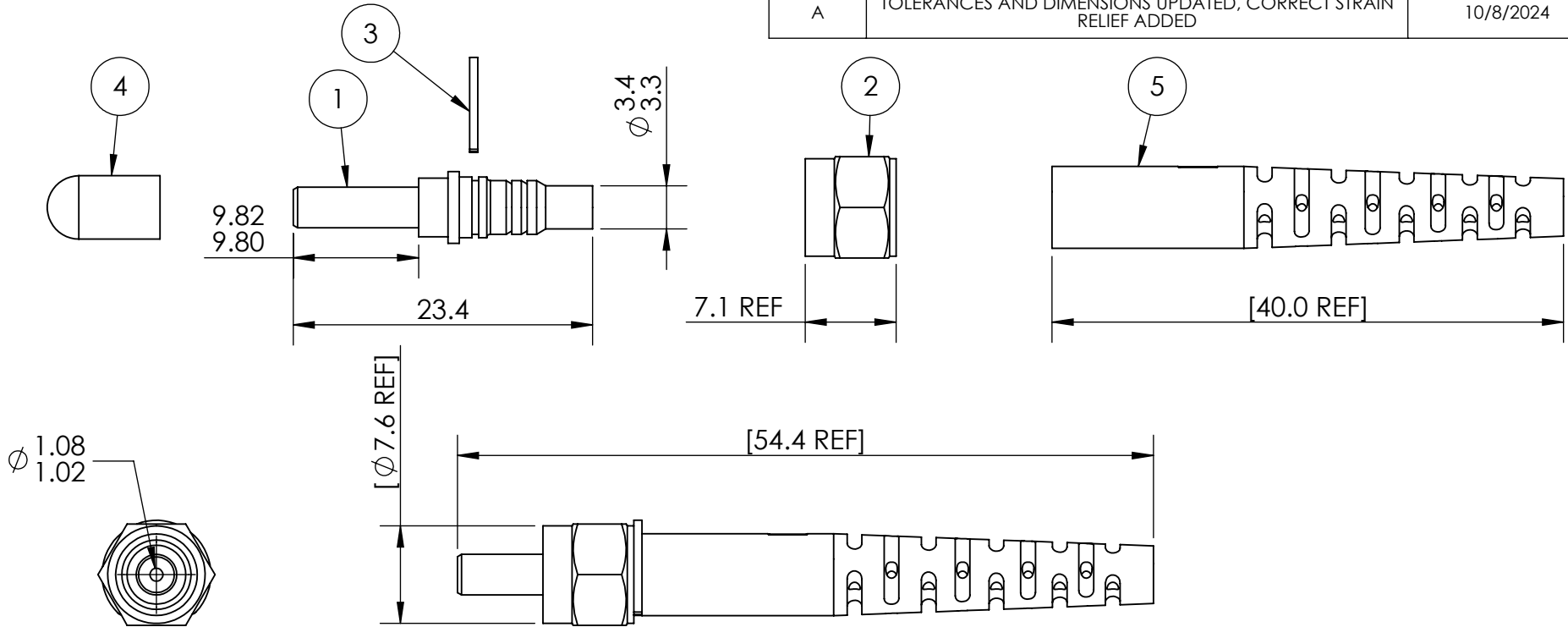


REV.	DESCRIPTION	DATE
A	TOLERANCES AND DIMENSIONS UPDATED, CORRECT STRAIN RELIEF ADDED	10/8/2024



ITEM #	PART #	DESCRIPTION	QTY.
1	FF-SMA1000	FF-SMA1000 Connector	1
2	FF-SMA-NT-1	SMA Nut, Brass, Tin Plated	1
3	FF-CH1235	SMA C-CLIP	1
4	FF-DC125-CLR	Dust Cap, 0.125in	1
5	FF-SNSTRC-BLK	ST/SMA Strain Relief, Black	1

UNLESS OTHERWISE SPECIFIED:

DIMENSIONS ARE IN MILLIMETERS

TOLERANCES:
ONE PLACE DECIMAL: ±0.2
TWO PLACE DECIMAL: ±0.1
ANGULAR: MACH: ±0.5°, BEND: ±1°

DIMENSIONS BASED UPON
ANSI Y 14.5M-1994

MATERIAL
See BOM

FINISH

DO NOT SCALE DRAWING

NAME	DATE
DRAWN CRW	6/14/2019
CHECKED	
ENG APPR.	
MFG APPR.	
Q.A.	

COMMENTS:
RoHS, REACH compliant

FiberFin
9925 State Route 47
Unit A
Yorkville, IL 60560
U.S.A.

TITLE
Connector, SMA1000

SIZE	PART NO.	REV
A	FF-SMA1000	A

SCALE: 2:1 WEIGHT: SHEET 1 OF 1

CONFIDENTIALITY NOTICE:

THIS INFORMATION IS OWNED BY FIBERFIN, INC. AND CONTAINS MATERIALS CONCERNING FIBERFIN, INC. INTELLECTUAL PROPERTY RIGHTS, BUSINESS PLANS, CUSTOMERS, AND PRODUCTS THAT ARE CONFIDENTIAL AND OF SUBSTANTIAL VALUE TO FIBERFIN, INC. YOU ARE HEREBY NOTIFIED THAT ANY DISSEMINATION, DISTRIBUTION, OR COPYING OF THIS CONFIDENTIAL INFORMATION WITHOUT PRIOR WRITTEN PERMISSION FROM FIBERFIN, INC. IS STRICTLY PROHIBITED. IN RECEIVING THIS INFORMATION, YOU AGREE THAT YOU SHALL NOT DISCLOSE ANY SUCH CONFIDENTIAL INFORMATION TO ANY THIRD PARTY AND SHALL TAKE EVERY REASONABLE PRECAUTION TO PROTECT SUCH CONFIDENTIAL INFORMATION FROM SUCH DISCLOSURE. IN THE EVENT YOU ARE ASKED TO RETURN THE CONFIDENTIAL INFORMATION TO FIBERFIN, INC., THERE SHALL BE NO USE OR DISCLOSURE BY YOU OF ANY CONFIDENTIAL INFORMATION.

ALL RIGHTS RESERVED BY FIBERFIN, INC.