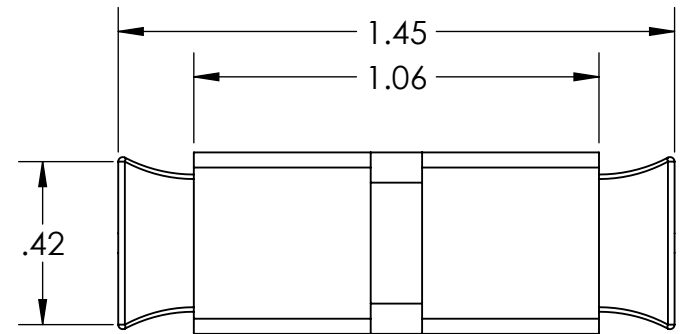


#4-40 NUT



TESTING PERFORMANCE	
TESTED WAVE LENGTH	650nm
TESTED FIBER MEDIUM	1mm PMMA .5 na
TESTED CABLE JACKET MATERIAL	PE
OPERATING TEMPERATURE	-25°C TO +85°C
STORAGE TEMPERATURE	-40°C TO +85°C
SEALING LEVEL	IP20 (MATED)
DURABILITY	500 MATING CYCLES
TYPICAL INSERTION LOSS (AVG.)	2.0dB ± 0.5dB

CONFIDENTIALITY NOTICE:

THIS INFORMATION IS OWNED BY FIBERFIN, INC. AND CONTAINS MATERIALS CONCERNING FIBERFIN, INC. INTELLECTUAL PROPERTY RIGHTS, BUSINESS PLANS, CUSTOMERS, AND PRODUCTS THAT ARE CONFIDENTIAL AND OF SUBSTANTIAL VALUE TO FIBERFIN, INC. YOU ARE HEREBY NOTIFIED THAT ANY DISSEMINATION, DISTRIBUTION, OR COPYING OF THIS CONFIDENTIAL INFORMATION WITHOUT PRIOR WRITTEN PERMISSION FROM FIBERFIN, INC. IS STRICTLY PROHIBITED. IN RECEIVING THIS INFORMATION, YOU AGREE THAT YOU SHALL NOT DISCLOSE ANY SUCH CONFIDENTIAL INFORMATION TO ANY THIRD PARTY AND SHALL TAKE EVERY REASONABLE PRECAUTION TO PROTECT SUCH CONFIDENTIAL INFORMATION FROM SUCH DISCLOSURE. IN THE EVENT YOU ARE ASKED TO RETURN THE CONFIDENTIAL INFORMATION TO FIBERFIN, INC., THERE SHALL BE NO USE OR DISCLOSURE BY YOU OF ANY CONFIDENTIAL INFORMATION.

ALL RIGHTS RESERVED BY FIBERFIN, INC.

UNLESS OTHERWISE SPECIFIED:

DIMENSIONS ARE IN INCHES

DIMENSIONS BASED UPON ANSI Y 14.5M-1994

MATERIAL

FINISH

DO NOT SCALE DRAWING

	NAME	DATE
DRAWN	BJS	2019-06-28
CHECKED		
ENG APPR.		
MFG APPR.		
Q.A.		

COMMENTS:

FiberFin
9925 State Route 47
Unit A
Yorkville, IL 60560
U.S.A.

TITLE

Bare Fiber Duplex Coupler, 2.2mm Jacket

SIZE	PART NO.	REV
A	FF-BFOPTO	

SCALE: 2:1 WEIGHT: SHEET 1 OF 1