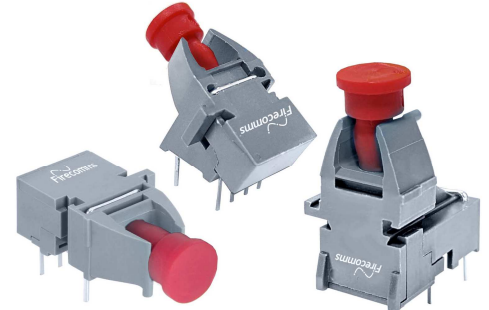


FT10MxLR

650 nm DC-10 MBd RedLink® Fiber Optic Transmitter

Datasheet



DESCRIPTION

Firecomms DC to 10 MBd low current RedLink® transmitter is a highly reliable Resonant Cavity Light Emitting Diode (RCLED) which operates as a visible optical source generating red 650 nm light at data rates from burst mode DC to a maximum of 10 MBd of continuous digital data. The RCLED is encapsulated in a lensed clear molded plastic package for optimum coupling to Plastic Optic Fiber (POF). It operates over the industrial temperature range of -40 °C to +85 °C.

The transmitter is assembled in a grey non-conducting plastic housing requiring low operating current supporting horizontal, vertical and tilted housing options. The use of the eye-safe, visible light simplifies link set-up and testing.

FEATURES

- Visible RCLED at red wavelength (650 nm)
- Optimised for data rates from DC to 10 MBd with low current consumption
- Ideal for use with Step Index (SI) Plastic Optic Fiber (POF)
- Industrial temperature range -40 °C to +85 °C
- RoHS compliant
- Flame retardant (UL 94 V-0) connector housings
- Low pulse width distortion
- Horizontal, Vertical and 30° Tilted options
- Compatible with Versatile Link cables and connectors

AVAILABLE OPTIONS

Table 1

ORDERING INFORMATION / PART NUMBERS

10 MBd Horizontal Package Non-Inverting, TTL	FT10MHLR
10 MBd Vertical Package Non-Inverting, TTL	FT10MVLRL
10 MBd Tilted Package Non- Inverting, TTL	FT10MWLR

Table 2

APPLICATIONS

Application	Automation and Industrial Control, Low-Speed Serial Communications, Voltage Isolation
Standard	Serial RS232, RS485, CAN Bus, Modbus, PROFIBUS, SERCOS
Distance	50 meters Step Index (SI) POF ^[1]
Speed	DC to 10 MBd

Note: 1. Depending on the installation conditions and assuming use of a Firecomms 10 MBd receiver.

SPECIFICATIONS

Table 3
TRANSMITTER PIN DESCRIPTION

Pin	Name	Symbol
1	RCLED ANODE	TD +
2	RCLED CATHODE	TD -
3	NOT CONNECTED	NC / GND
4	NOT CONNECTED	NC / GND
5	RETAINING PIN	GND
8	RETAINING PIN	GND

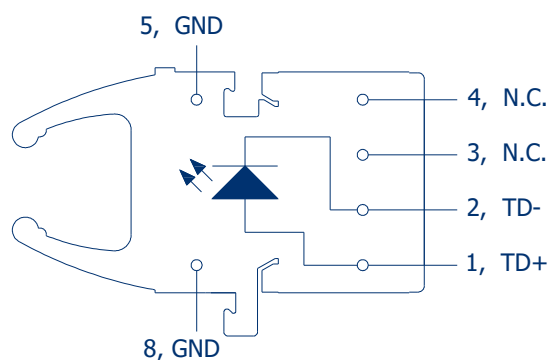


FIGURE 1
Transmitter pin-out, top view

Table 4
REGULATORY COMPLIANCE

Parameter	Symbol	Standard	Level
Electrostatic Discharge, Human Body Model (contact ESD)	HBM	Mil-STD-883	Level 2 (4 kV)
Radiated Emissions Immunity	Vm ⁻¹	IEC 61000-4-3	15 Vm ⁻¹
UL Certification	UL	60950-1	File No. E362227
Storage Compliance	MSL	J-STD-020	2a (4-week floor life)
Restriction of Hazardous Substances Directive	RoHS	Directive 2011/65/EU Incl. Amendment 2015/863	Certified compliant

RECOMMENDED APPLICATION CIRCUIT

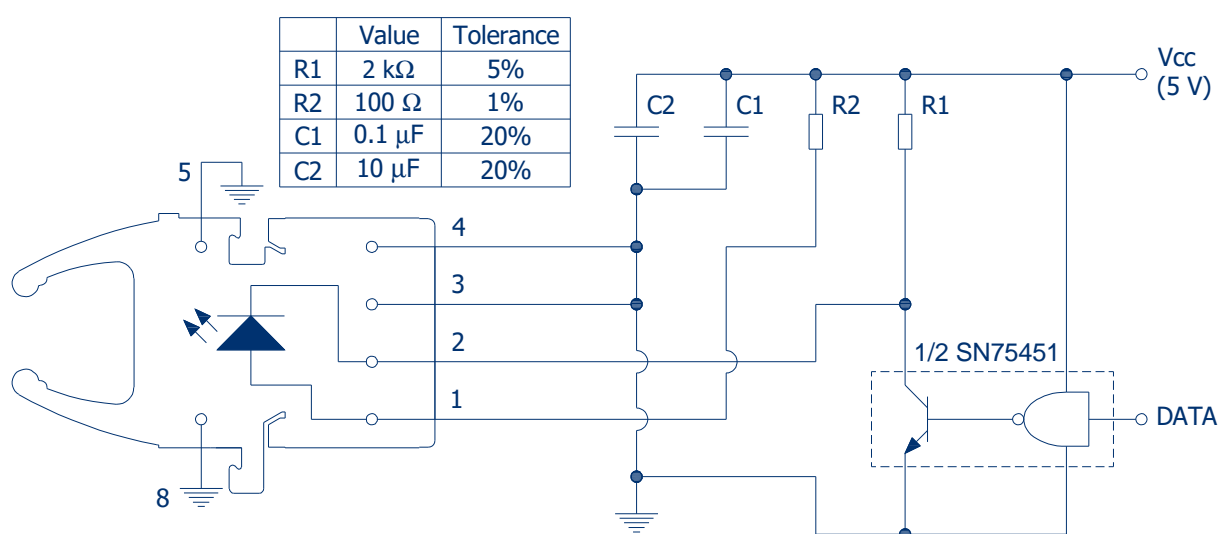


FIGURE 2
Recommended transmitter application circuit. See note 6, Table 6

SPECIFICATIONS

Table 5
ABSOLUTE MAXIMUM RATINGS

These are the absolute maximum ratings at or beyond which the part can be expected to be damaged

Notes:

1. 260 °C for 10 seconds, one time only, at least 2.2 mm away from lead root
2. When peak forward current exceeds 30 mA, the duty cycle must maintain a pulse width (PW) less than 1 μ s and average forward current less than or equal to 30 mA. [$30 \text{ mA} \leq I_{\text{FPK}} \leq 45 \text{ mA} \leftrightarrow I_{\text{FAVG}} \leq 30 \text{ mA AND PW} \leq 1 \mu\text{s}$]

Parameter	Symbol	Minimum	Maximum	Unit
Storage Temperature	T_{stg}	-40	+85	°C
Operating Temperature	T_{op}	-40	+85	°C
Soldering Temperature ^[1]	T_{slid}		+260 ^[1]	°C
Tx Reverse Input Voltage	V_{R}		3	V
Tx Peak Forward Input Current ^[2]	I_{FPK}		45	mA
Average Forward Input Current ^[2]	I_{FAVG}		30	mA

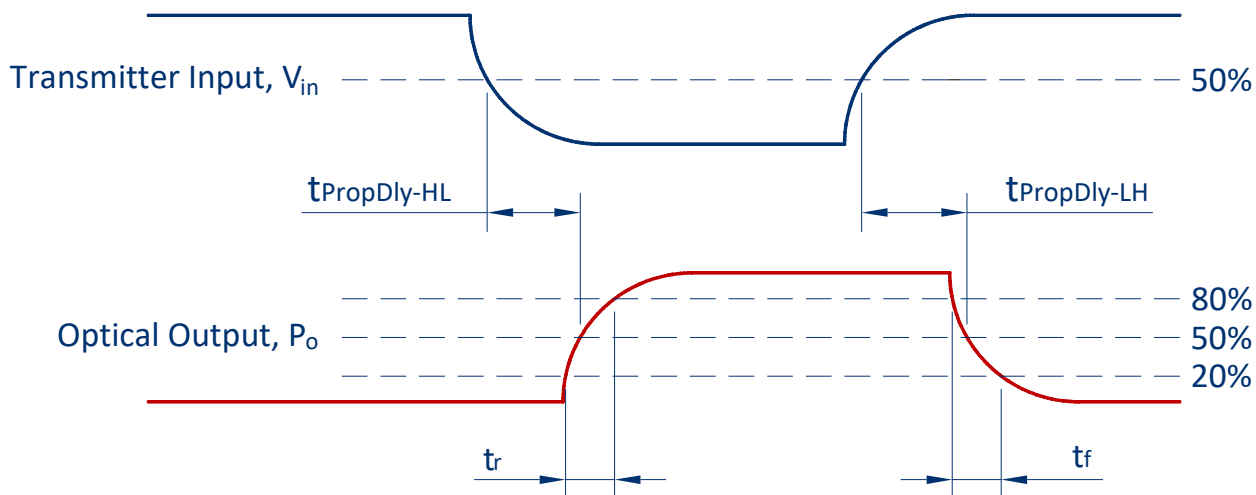


FIGURE 3
Transmitter propagation delay and rise/fall time definitions as per application circuit of Figure 2

SPECIFICATIONS

Table 6
TRANSMITTER ELECTRICAL AND OPTICAL CHARACTERISTICS

Test Conditions:

1. Test data was validated over the full temperature range of -40 °C to +85 °C, and over the full drive current range
2. Optical power for POF is measured when coupled into 0.5 m of a 1 mm diameter 0.5 NA POF and a large area detector
3. As measured in the given application circuit (inverting) as shown in Figure 2 with 50 cm of 0.5 NA POF
4. Emission Wavelength (centroid) $\lambda_c = \sum P_i \lambda_i / \sum P_i$ (Ref: EIA/TIA std. FOTP-127/6.1, 1991)
5. Spectral Width Root Mean Squared (RMS) $\lambda_{RMS} = (\sum P_i (\lambda_c - \lambda_i)^2 / \sum P_i)^{1/2}$. (Ref: EIA/TIA std. FOTP-127/6.3, 1991)
6. Pins 5 and 8 are only used for mounting and retention purposes only. Connect to ground.

Parameter	Symbol	Min	Typical	Max	Unit	Test Condition
Output Power	P	-3	+2	+4	dBm	1 mm POF I _{FDC} = 30 mA
		-9	-3	-1	dBm	1 mm POF I _{FDC} = 10 mA
		-11	-5	-3	dBm	1 mm POF I _{FDC} = 5 mA
		-14	-8	-6	dBm	1 mm POF I _{FDC} = 3 mA
		-20	-15	-12	dBm	200 μm PCS I _{FDC} = 30 mA
Emission Wavelength (centroid) ^[4]	λ_c	640	660	680	nm	I _{FDC} = 30 mA
Spectral Width (RMS) ^[5]	λ_{RMS}		11	20	nm	I _{FDC} = 30 mA
Forward Voltage	V _F	1.4	1.95	2.4	V	I _{FDC} = 30 mA
Forward Voltage Temperature Coefficient	$\Delta V_F / \Delta T$		-3.5		mV/°C	I _{FDC} = 30 mA
Reverse Input Breakdown Voltage	V _{BR}	20			V	I _{FDC} = -1 μA
Diode Capacitance	C _o		11		pF	V = 0 V
Data Rate		DC		10	MBd	
Optical Rise Time (20 % - 80 %)	t _r		5	7	ns	I _{FAVG} = 15 mA ^[3]
Optical Fall Time (80 % - 20 %)	t _f		7	9	ns	I _{FAVG} = 15 mA ^[3]
Propagation Delay Low-to-High (Electrical-to-Optical)	PropDly_ LtoH (EL/OP)	18	22	28	ns	I _{FAVG} = 15 mA ^[3]
Propagation Delay High-to-Low (Electrical-to-Optical)	PropDly_ HtoL (EL/OP)	16	24	36	ns	I _{FAVG} = 15 mA ^[3]
Pulse Width Distortion	PWD	-2	2	8	ns	I _{FAVG} = 15 mA ^[3]

SPECIFICATIONS

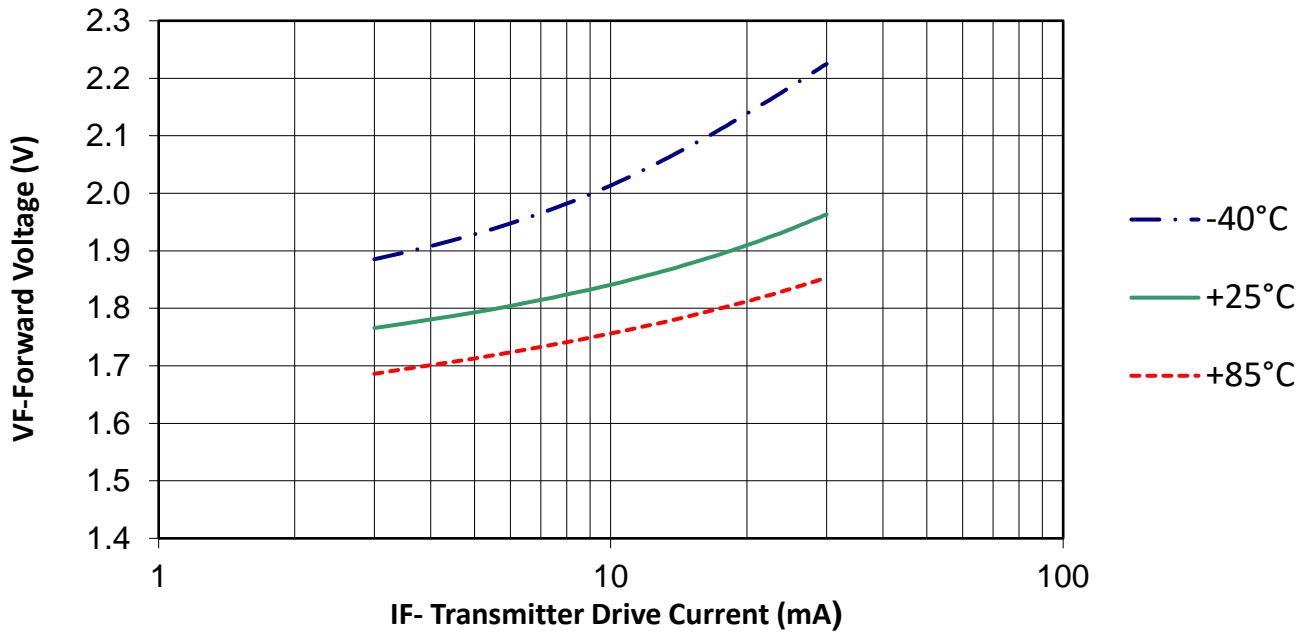


FIGURE 4
Typical forward voltage (VF) vs. drive current (IF, DC)

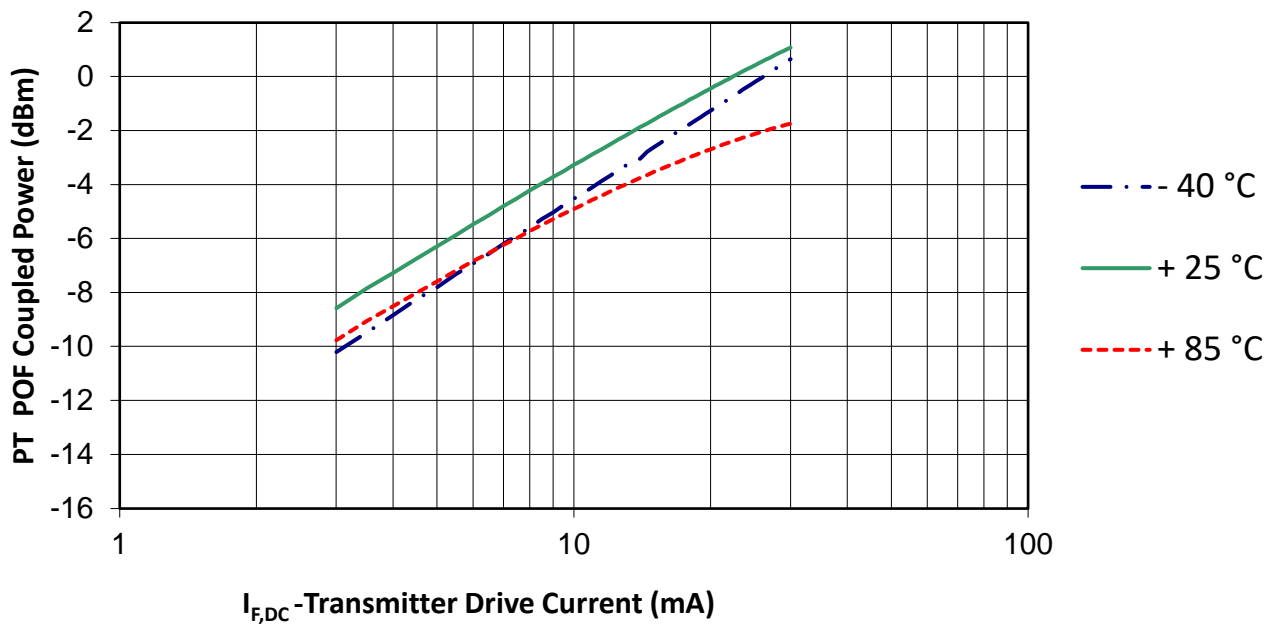


FIGURE 5
Typical normalized optical power vs. drive current

MECHANICAL DATA, HORIZONTAL

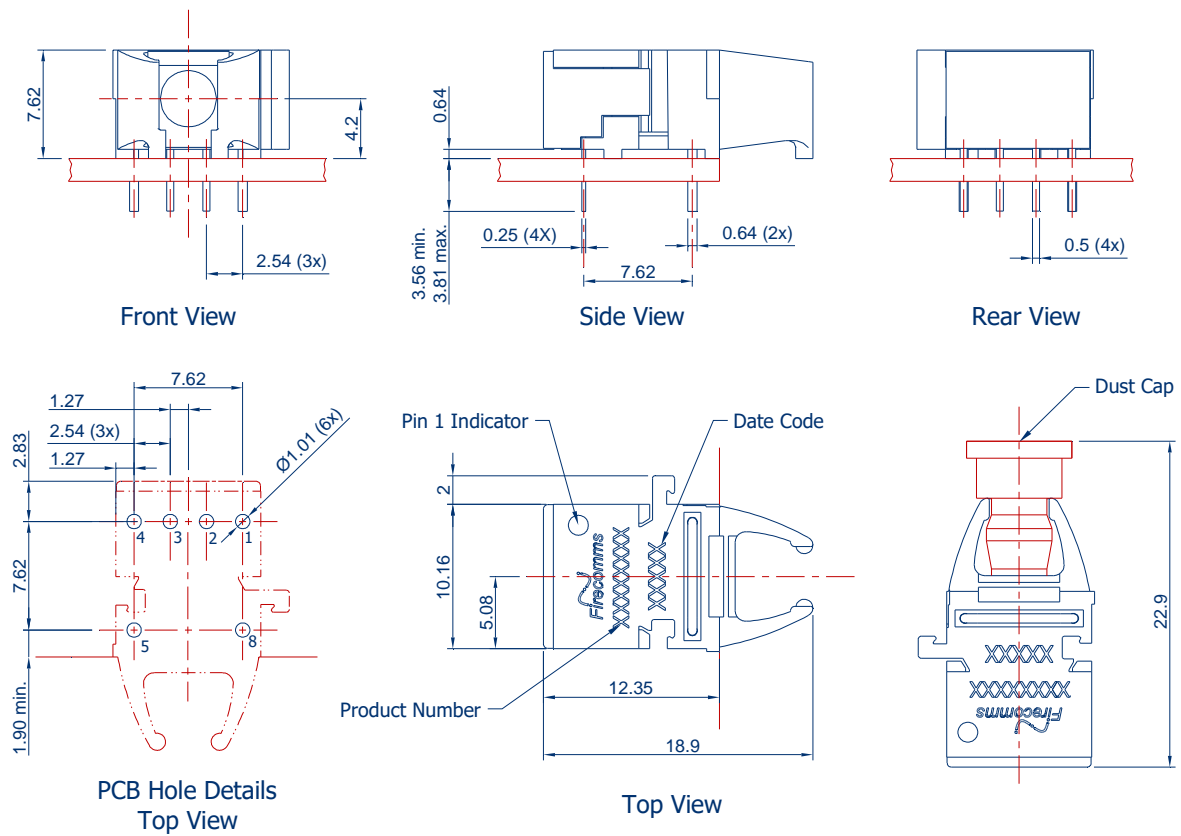


FIGURE 6
 Mechanical dimensions of RedLink® horizontal connectors and PCB footprint, which is a top view
 General dimensional tolerance is ± 0.2 mm

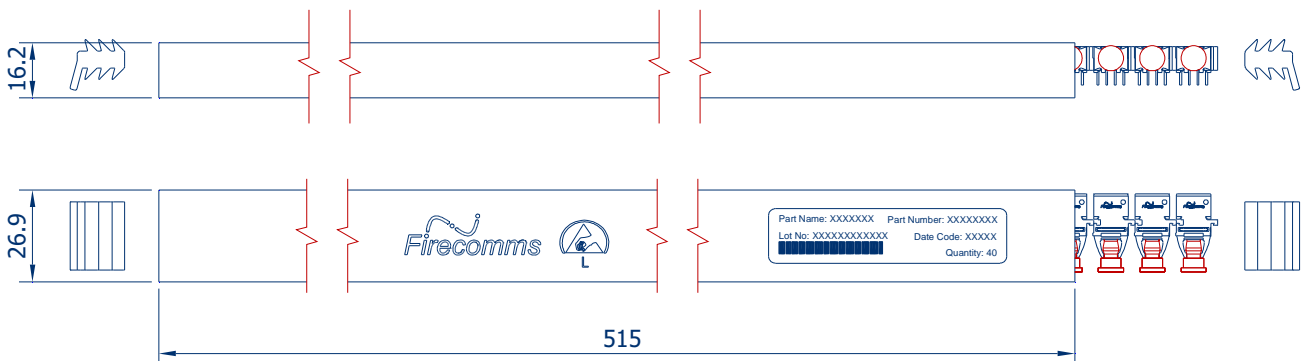


FIGURE 7
 Packing tube for Firecomms RedLink® horizontal connectors

MECHANICAL DATA, VERTICAL

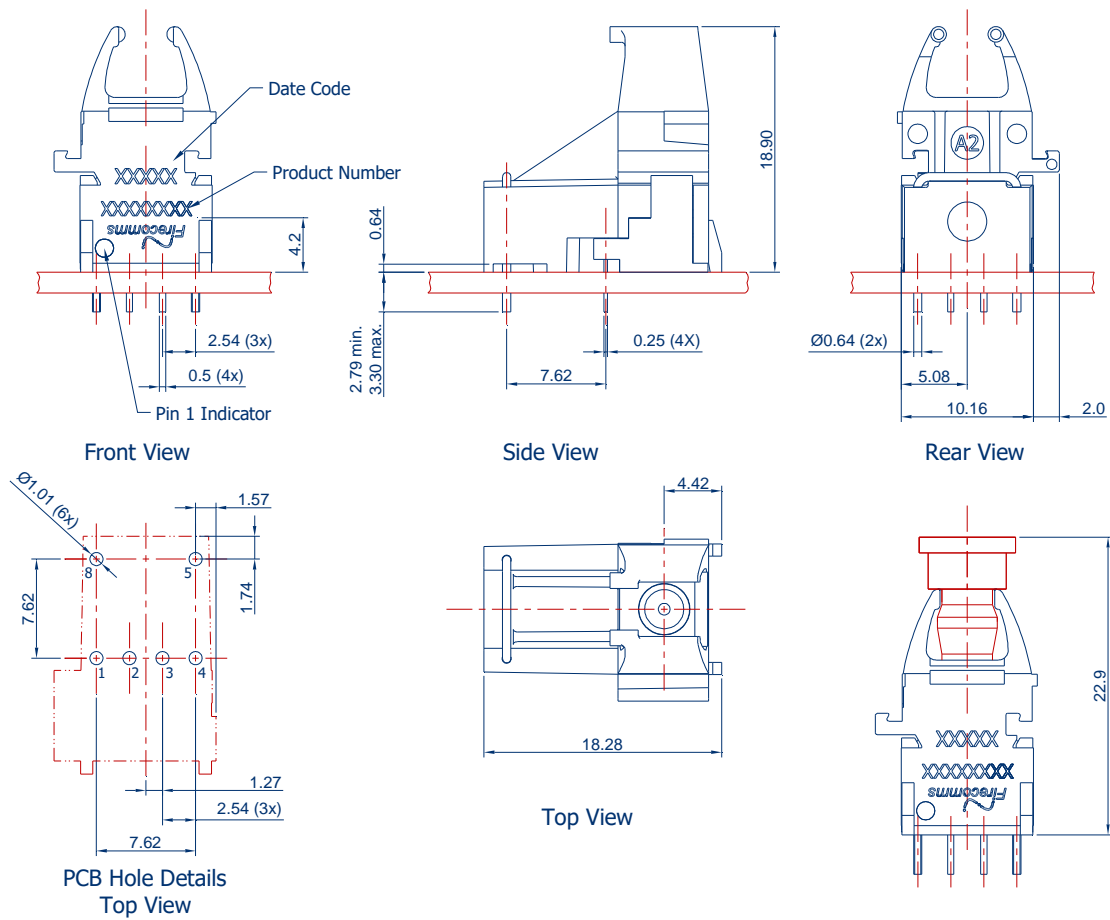


FIGURE 8
 Mechanical dimensions of RedLink® vertical connectors and PCB footprint, which is a top view
 General dimensional tolerance is ± 0.2 mm

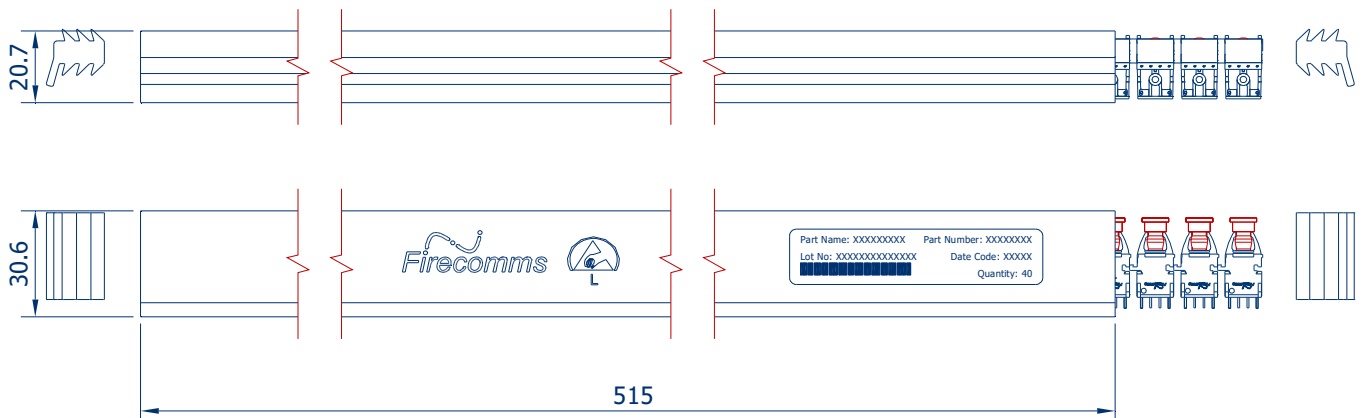


FIGURE 9
 Packing tube for Firecomms RedLink® vertical connectors

MECHANICAL DATA, 30° TILTED

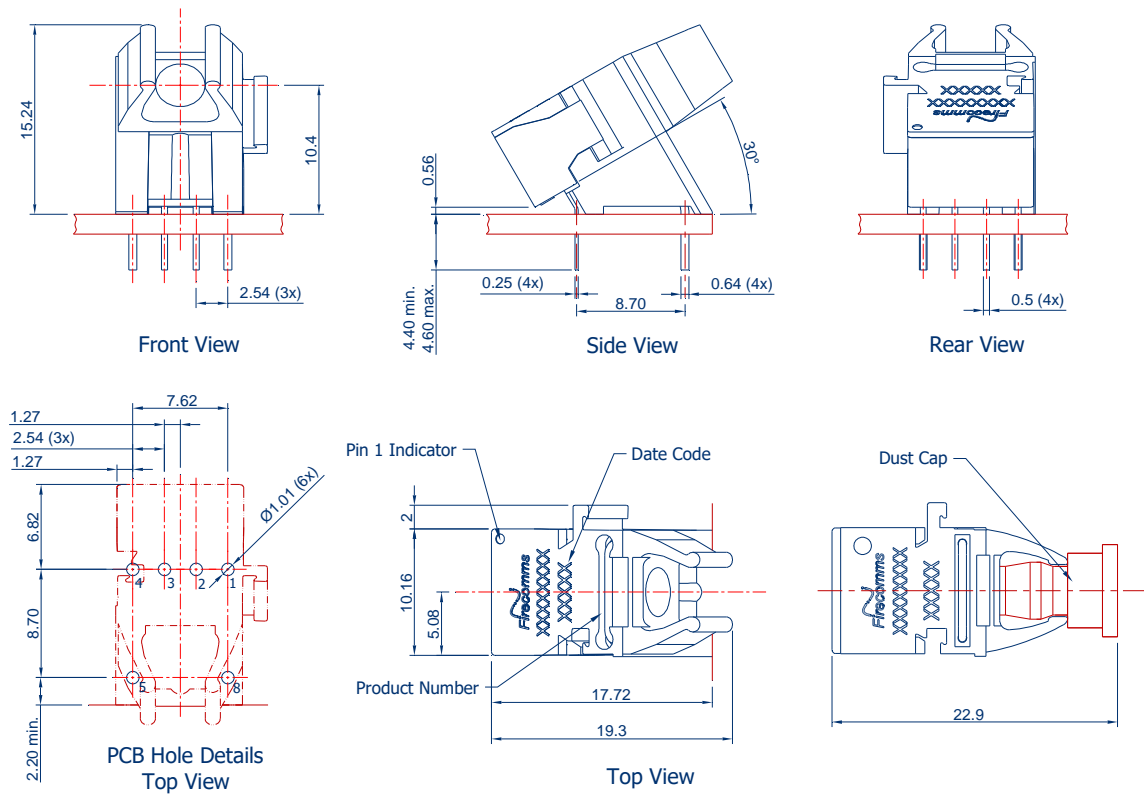


FIGURE 10
Mechanical dimensions of RedLink® tilted connectors and PCB footprint, which is a top view
General dimensional tolerance is ± 0.2 mm

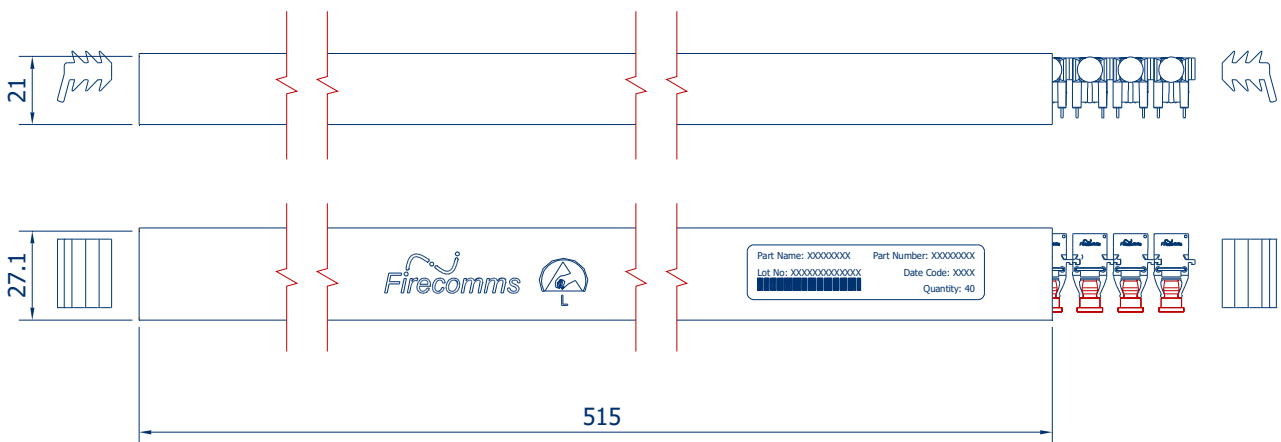


FIGURE 11
Packing tube for Firecomms RedLink® tilted connectors

PART HANDLING

Firecomms RedLink® connectors are auto-insertable and tested for handling in static-controlled assembly processes (Human Body Model - HBM). Cleaning, degreasing and post solder washing should be carried out using standard solutions compatible with both plastics and the environment. For example, recommended solutions for degreasing are alcohols (methyl, isopropyl and isobutyl). Acetone, ethyl acetate, phenol or similar solution-based products are not permitted.

In the soldering process, non-halogenated water-soluble fluxes are recommended. RedLink® connectors are not suitable for use in reflow solder processes (infrared/vapor-phase reflow). The dust plug should remain in place during soldering, washing and drying processes to avoid contamination of the active optical area of each part.

The Moisture Sensitivity Level (MSL) classification of this device is 2a according to JEDEC J-STD-020.

The shelf life of an unopened MBB (Moisture Barrier Bag) is 24 months at < 40 °C and < 90 % R.H.

Once the Moisture Barrier Bag is opened, the devices can be either;

- a) Stored in normal factory conditions < 30 °C and < 60 % R.H. for a maximum of 672 hours (4 Weeks) prior to soldering
- b) Stored at < 10 % R.H. (Dry Cabinet)

PACKING INFORMATION

Components are packed in PVC anti-static tubes and in moisture barrier bags. Bags should be opened only in static-controlled locations, and standard procedures should be followed for handling moisture sensitive components.

Table 7
PACKING INFORMATION

	Horizontal	Vertical	Tilted
Components per Tube	40	40	40
Tube Length	515 mm	515 mm	515 mm
Tube Height	16.2 mm	20.7 mm	21 mm
Tube Depth	26.9 mm	30.6 mm	27.1 mm
Tubes per Bag	5	5	5
Bags per Inner Carton	1	1	1
Inner Carton Length	630 mm	630 mm	630 mm
Inner Carton Width	70 mm	70 mm	70 mm
Inner Carton Height	105 mm	105 mm	105 mm
Weight per Inner Carton, Complete	0.77 kg	0.92 kg	0.92 kg
Components per Inner Carton	200	200	200
Inner Cartons per Outer Carton	10	10	10
Outer Carton Length	650 mm	650 mm	650 mm
Outer Carton Width	235 mm	235 mm	235 mm
Outer Carton Height	376 mm	376 mm	376 mm
Weight per Outer Carton, Complete	8.13 kg	9.60 kg	9.60 kg
Components per Outer Carton	2,000	2,000	2,000

For the most recent revision or further information please visit www.firecomms.com or contact the company directly at the following address, Firecomms Ltd, 2200 Airport Business Park, Cork, IRELAND. Copyright© 2004-2022 Firecomms. All rights reserved. Firecomms refers to Firecomms Limited and/or its subsidiaries. Firecomms assumes no responsibility for inaccuracies or omissions in the information contained in this document. Specifications are subject to change without notice. No patent rights are granted to any of the circuits described herein.