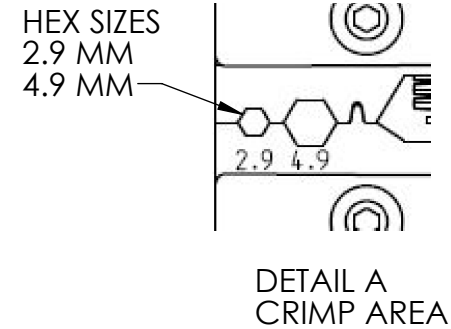


PRODUCT INFORMATION

PROCESS	PRECISION CRIMPING/SWAGING
PRODUCT NAME	POF CRIMP/SWAGE TOOLS
MATERIAL	HARDENED STEEL JAWS
HANDLES	PLASTIC COATED
WEIGHT	1.115 LBS 505 GRAMS



CONFIDENTIAL INFORMATION:

THIS INFORMATION IS OWNED BY FIBERFIN INC. AND CONTAINS MATERIALS CONCERNING FIBERFIN INC. INTELLECTUAL PROPERTY RIGHTS, BUSINESS PLANS, CUSTOMERS, AND PRODUCTS (CONFIDENTIAL INFORMATION) THAT ARE CONFIDENTIAL AND OF SUBSTANTIAL VALUE TO FIBERFIN INC. YOU ARE HEREBY NOTIFIED THAT ANY DISSEMINATION, DISTRIBUTION, OR COPYING OF THIS CONFIDENTIAL INFORMATION WITHOUT PRIOR WRITTEN PERMISSION FROM FIBERFIN INC. IS STRICTLY PROHIBITED. IN RECEIVING THIS INFORMATION YOU AGREE THAT YOU SHALL NOT DISCLOSE ANY SUCH CONFIDENTIAL INFORMATION TO ANY THIRD PARTY AND SHALL TAKE EVERY REASONABLE PRECAUTION TO PROTECT SUCH CONFIDENTIAL INFORMATION FROM SUCH DISCLOSURE. IN THE EVENT YOU ARE ASKED TO RETURN THE CONFIDENTIAL INFORMATION TO FIBERFIN INC. THERE SHALL BE NO USE OR DISCLOSURE BY YOU OF ANY CONFIDENTIAL INFORMATION ALL INTELLECTUAL PROPERTY RIGHTS RESERVED BY FIBERFIN INC.

UNLESS OTHERWISE SPECIFIED: DIMENSIONS ARE IN INCHES TOLERANCES: FRACTIONAL $\pm 1/32$ ANGULAR: MACH $\pm 1/2$ BEND ± 1 TWO PLACE DECIMAL $\pm .015$ THREE PLACE DECIMAL $\pm .005$		NAME	DATE	FiberFin, Inc. 9925 Rt 47 Unit A Yorkville, IL. 60560 USA						
	DRAWN	J.S.M.	8/27/15							
	CHECKED	P.M.	9/1/15							
	ENG APPR.									
	MFG APPR.	P.M.	9/1/15	TITLE: <p style="text-align: center; font-size: 1.2em;">ST CRIMPSWAGE TOOL</p>						
INTERPRET GEOMETRIC TOLERANCING PER: MATERIAL FINISH	Q.A. COMMENTS:			<table border="1" style="width: 100%; border-collapse: collapse;"> <tr> <td style="width: 10%; text-align: center;">SIZE</td> <td style="width: 60%;">DWG. NO.</td> <td style="width: 30%; text-align: center;">REV</td> </tr> <tr> <td style="text-align: center; font-size: 1.5em;">A</td> <td style="text-align: center;">FF-HTCSWG-SMA</td> <td></td> </tr> </table>	SIZE	DWG. NO.	REV	A	FF-HTCSWG-SMA	
SIZE	DWG. NO.	REV								
A	FF-HTCSWG-SMA									
DO NOT SCALE DRAWING			SCALE: N/A WEIGHT:	SHEET 1 OF 1						