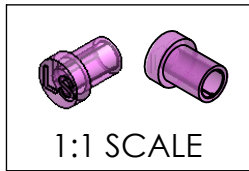
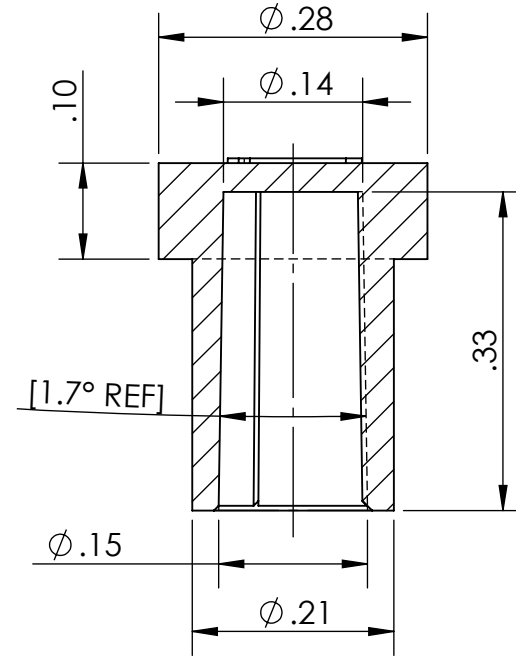
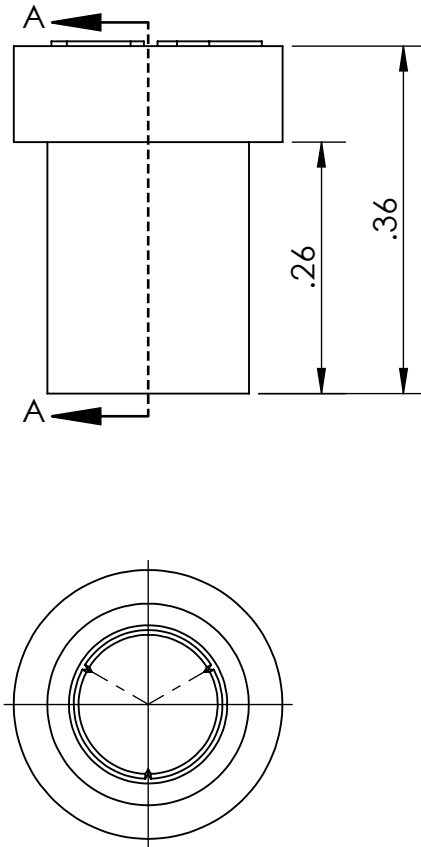


DETAIL B



1:1 SCALE



SECTION A-A

CONFIDENTIALITY NOTICE:

THIS INFORMATION IS OWNED BY FIBERFIN, INC. AND CONTAINS MATERIALS CONCERNING FIBERFIN, INC. INTELLECTUAL PROPERTY RIGHTS, BUSINESS PLANS, CUSTOMERS, AND PRODUCTS THAT ARE CONFIDENTIAL AND OF SUBSTANTIAL VALUE TO FIBERFIN, INC. YOU ARE HEREBY NOTIFIED THAT ANY DISSEMINATION, DISTRIBUTION, OR COPYING OF THIS CONFIDENTIAL INFORMATION WITHOUT PRIOR WRITTEN PERMISSION FROM FIBERFIN, INC. IS STRICTLY PROHIBITED. IN RECEIVING THIS INFORMATION, YOU AGREE THAT YOU SHALL NOT DISCLOSE ANY SUCH CONFIDENTIAL INFORMATION TO ANY THIRD PARTY AND SHALL TAKE EVERY REASONABLE PRECAUTION TO PROTECT SUCH CONFIDENTIAL INFORMATION FROM SUCH DISCLOSURE. IN THE EVENT YOU ARE ASKED TO RETURN THE CONFIDENTIAL INFORMATION TO FIBERFIN, INC., THERE SHALL BE NO USE OR DISCLOSURE BY YOU OF ANY CONFIDENTIAL INFORMATION.

ALL RIGHTS RESERVED BY FIBERFIN, INC.

UNLESS OTHERWISE SPECIFIED:		NAME	DATE	FiberFin 9925 State Route 47 Unit A Yorkville, IL 60560 U.S.A.		
DIMENSIONS ARE IN INCHES	DRAWN	RH	7/22/2024			
	CHECKED					
	ENG APPR.					
	MFG APPR.			TITLE		
DIMENSIONS BASED UPON ANSI Y 14.5M-1994	Q.A.			0.151" ANTI-STATIC DUST CAP		
MATERIAL ANTI-STATIC PLASTIC	COMMENTS:					
FINISH TRANSLUCENT PINK				SIZE	PART NO.	REV
DO NOT SCALE DRAWING				A	FF-DCLS151	A
				SCALE: 8:1	WEIGHT:	SHEET 1 OF 1