

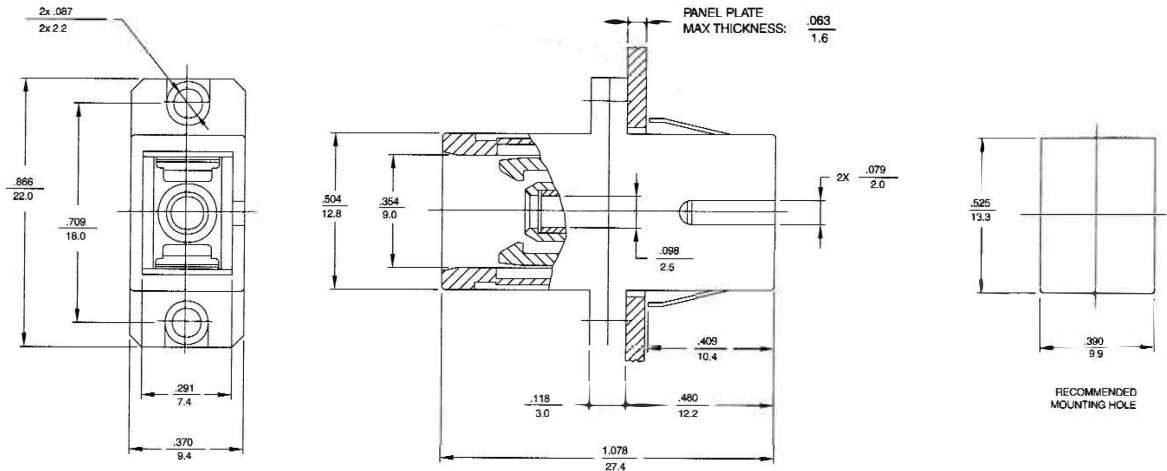
# SC MATING SLEEVES

## FLANGED

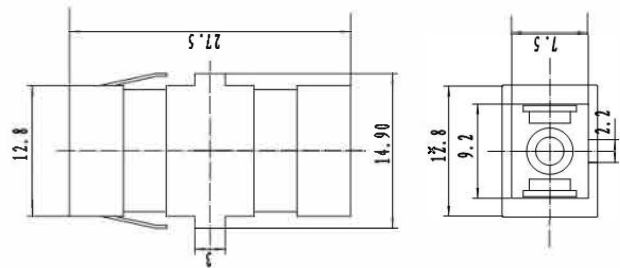


The FIS SC adapters are designed for optimal performance. We offer a bronze sleeve version for PC connectors. The zirconia sleeve versions are designed for high end UPC and APC applications. Applications include CATV, Data Communications and telecommunications networks.

## TECH DRAWING



## NON-FLANGED



## SPECIFICATIONS

<b>Body</b>	ABS Thermoplastic
<b>Housing Color</b>	F1-8300(xx) Beige, F1-8310(xx) Blue, F1-8400(xx) Green
<b>Operating Temperature</b>	-40°C to 85° C
<b>Excess Loss</b>	< or = .1dB: F1-3810(xx), F1-4800(xx) .2dB F1-3800(xx)
<b>F1-3800(xx)</b>	Bronze Sleeve
<b>F1-3810(xx)</b>	Zirconia Sleeve
<b>F1-4800(xx)</b>	APC - Zirconia