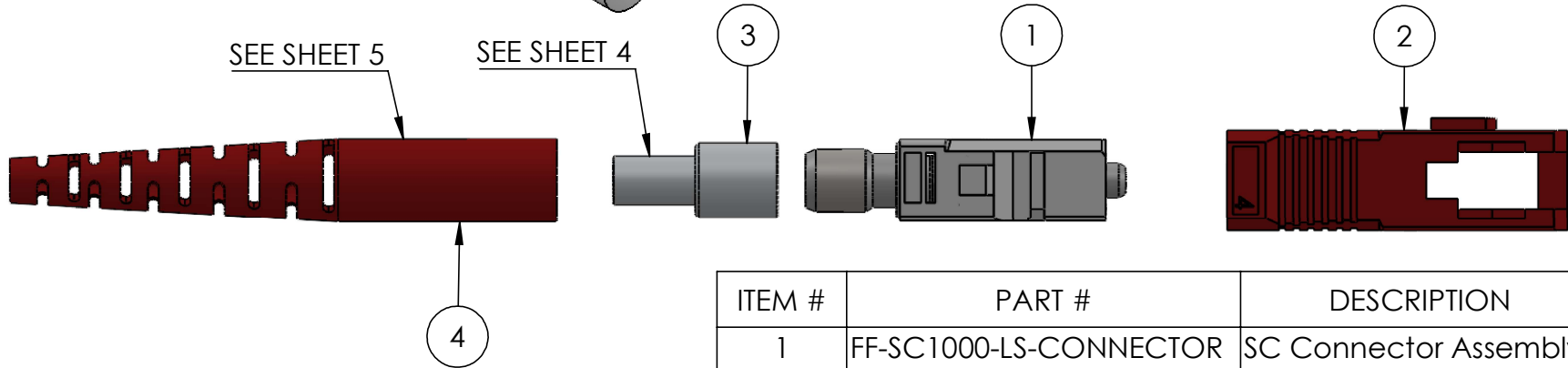
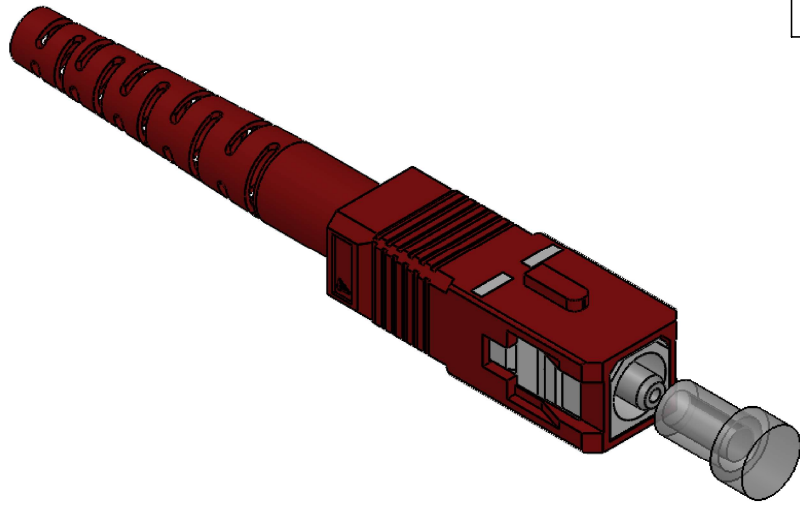


MUST MEET TIA/EIA 604-3A STANDARDS

REV.	DESCRIPTION	DATE	APPROVED
1	ADDED 1.3mm HOLE, UPDATED TOLERANCES ON FERRULE	2/24/2022	PM
2	UPDATED TOLERANCE & TAP ON CRIMP RING	5/3/2022	PM



ITEM #	PART #	DESCRIPTION	QTY.
1	FF-SC1000-LS-CONNECTOR	SC Connector Assembly	1
2	FF-SC1000-LS-HOUSING	Plastic Housing Red	1
3	FF-SC1000-CRIMP_RING	Metal Crimp Ring	1
4	FF-SC1000-STRAIN_RELIEF	Red Strain Relief - 3.2	1

UNLESS OTHERWISE SPECIFIED:		NAME	DATE
DIMENSIONS ARE IN MILLIMETERS	DRAWN	RH	3/31/2022
TOLERANCES:	CHECKED		
ONE PLACE DECIMAL: ±0.2	ENG APPR.		
TWO PLACE DECIMAL: ±0.1	MFG APPR.		
ANGULAR: MACH:±0.5°, BEND:±1°	Q.A.		
DIMENSIONS BASED UPON ANSI Y 14.5M-1994	COMMENTS:		
MATERIAL			
FINISH			
DO NOT SCALE DRAWING			

FiberFin
9925 State Route 47
Unit A
Yorkville, IL 60560
U.S.A.

TITLE
SC Connector - 1mm POF

SIZE A	PART NO. FF-SC1000-LS-R	REV 2
SCALE: 2:1	WEIGHT:	SHEET 1 OF 5

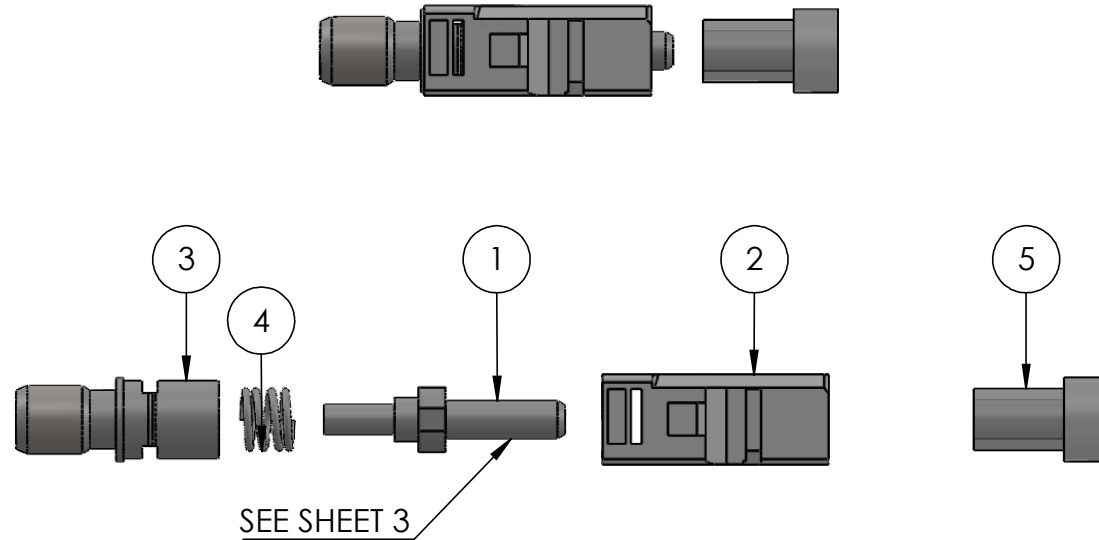
CONFIDENTIALITY NOTICE:

THIS INFORMATION IS OWNED BY FIBERFIN, INC. AND CONTAINS MATERIALS CONCERNING FIBERFIN, INC. INTELLECTUAL PROPERTY RIGHTS, BUSINESS PLANS, CUSTOMERS, AND PRODUCTS THAT ARE CONFIDENTIAL AND OF SUBSTANTIAL VALUE TO FIBERFIN, INC. YOU ARE HEREBY NOTIFIED THAT ANY DISSEMINATION, DISTRIBUTION, OR COPYING OF THIS CONFIDENTIAL INFORMATION WITHOUT PRIOR WRITTEN PERMISSION FROM FIBERFIN, INC. IS STRICTLY PROHIBITED. IN RECEIVING THIS INFORMATION, YOU AGREE THAT YOU SHALL NOT DISCLOSE ANY SUCH CONFIDENTIAL INFORMATION TO ANY THIRD PARTY AND SHALL TAKE EVERY REASONABLE PRECAUTION TO PROTECT SUCH CONFIDENTIAL INFORMATION FROM SUCH DISCLOSURE. IN THE EVENT YOU ARE ASKED TO RETURN THE CONFIDENTIAL INFORMATION TO FIBERFIN, INC., THERE SHALL BE NO USE OR DISCLOSURE BY YOU OF ANY CONFIDENTIAL INFORMATION.

ALL RIGHTS RESERVED BY FIBERFIN, INC.

MUST MEET TIA/EIA 604-3A STANDARDS

REV.	DESCRIPTION	DATE	APPROVED
1	ADDED 1.3mm HOLE, UPDATED TOLERANCES ON FERRULE	2/24/2022	PM
2	UPDATED TOLERANCE & TAP ON CRIMP RING	5/3/2022	PM



ITEM #	PART #	DESCRIPTION	QTY.
1	FF-SC1000-LS_FERRULE	FiberFin Custom Ferrule	1
2	FF-SC1000-LS-CONNECTOR_BODY	SC Connector Plastic Frame - White	1
3	FF-SC1000-LS-STOPPER	SC Metal Stopper	1
4	FF-SC1000-LS-SPRING	SC Spring	1
5	FF-DC2.5-CLR	Dust Cap, 2.5mm, Clear Plastic	1

CONFIDENTIALITY NOTICE:

THIS INFORMATION IS OWNED BY FIBERFIN, INC. AND CONTAINS MATERIALS CONCERNING FIBERFIN, INC. INTELLECTUAL PROPERTY RIGHTS, BUSINESS PLANS, CUSTOMERS, AND PRODUCTS THAT ARE CONFIDENTIAL AND OF SUBSTANTIAL VALUE TO FIBERFIN, INC. YOU ARE HEREBY NOTIFIED THAT ANY DISSEMINATION, DISTRIBUTION, OR COPYING OF THIS CONFIDENTIAL INFORMATION WITHOUT PRIOR WRITTEN PERMISSION FROM FIBERFIN, INC. IS STRICTLY PROHIBITED. IN RECEIVING THIS INFORMATION, YOU AGREE THAT YOU SHALL NOT DISCLOSE ANY SUCH CONFIDENTIAL INFORMATION TO ANY THIRD PARTY AND SHALL TAKE EVERY REASONABLE PRECAUTION TO PROTECT SUCH CONFIDENTIAL INFORMATION FROM SUCH DISCLOSURE. IN THE EVENT YOU ARE ASKED TO RETURN THE CONFIDENTIAL INFORMATION TO FIBERFIN, INC., THERE SHALL BE NO USE OR DISCLOSURE BY YOU OF ANY CONFIDENTIAL INFORMATION.

ALL RIGHTS RESERVED BY FIBERFIN, INC.

UNLESS OTHERWISE SPECIFIED:	NAME	DATE
DIMENSIONS ARE IN MILLIMETERS	DRAWN	RH 3/31/2022
TOLERANCES: ONE PLACE DECIMAL: ±0.2 TWO PLACE DECIMAL: ±0.1 ANGULAR: MACH: ±0.5°, BEND: ±1°	CHECKED	
	ENG APPR.	
	MFG APPR.	
DIMENSIONS BASED UPON ANSI Y 14.5M-1994	Q.A.	
MATERIAL	COMMENTS:	
FINISH		
DO NOT SCALE DRAWING		

FiberFin 9925 State Route 47 Unit A Yorkville, IL 60560 U.S.A.		
TITLE SC Connector - 1mm POF		
SIZE A	PART NO. FF-SC1000-LS-R	REV 2
SCALE: 2:1	WEIGHT:	SHEET 2 OF 5