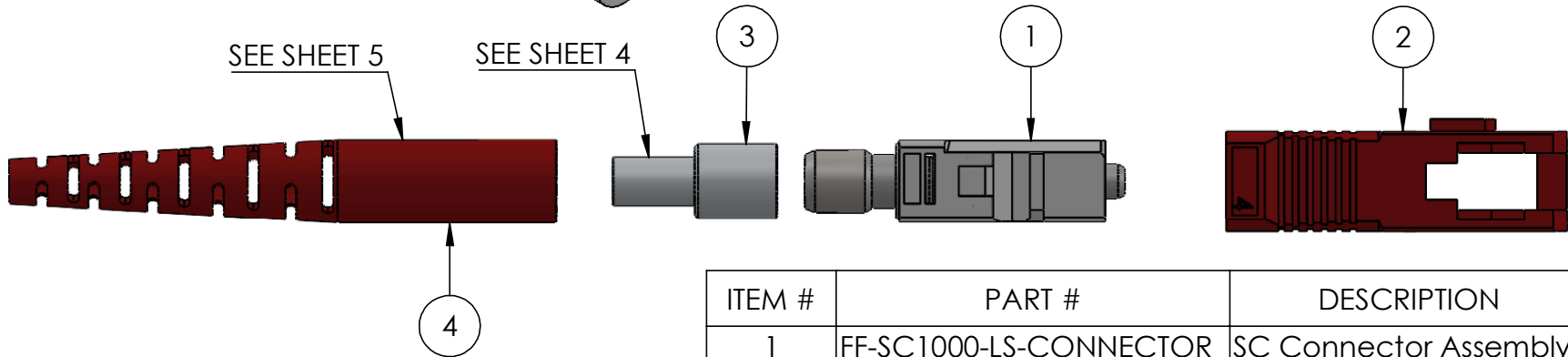
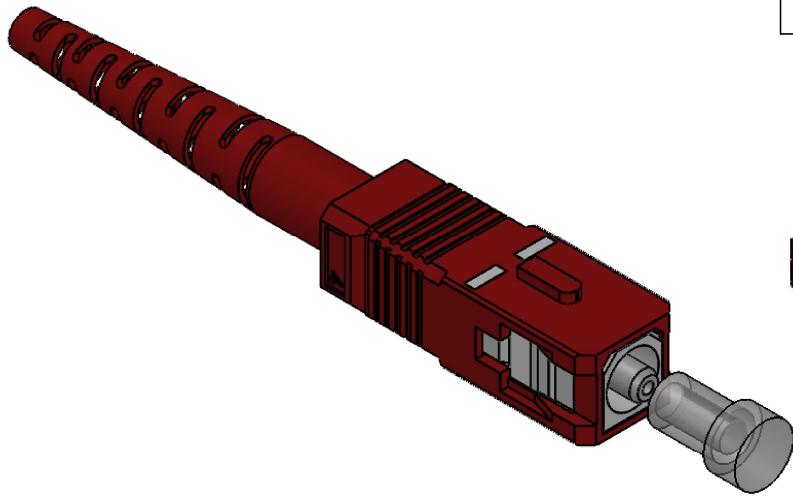


MUST MEET TIA/EIA 604-3A STANDARDS

REV.	DESCRIPTION	DATE	APPROVED
1	ADDED 1.3mm HOLE, UPDATED TOLERANCES ON FERRULE	2/24/2022	PM
2	UPDATED TOLERANCE & TAP ON CRIMP RING	5/3/2022	PM



ITEM #	PART #	DESCRIPTION	QTY.
1	FF-SC1000-LS-CONNECTOR	SC Connector Assembly	1
2	FF-SC1000-LS-HOUSING	Plastic Housing Red	1
3	FF-SC1000-CRIMP_RING	Metal Crimp Ring	1
4	FF-SC1000-STRAIN_RELIEF	Black Strain Relief - 2.2	1

CONFIDENTIALITY NOTICE:

THIS INFORMATION IS OWNED BY FIBERFIN, INC. AND CONTAINS MATERIALS CONCERNING FIBERFIN, INC. INTELLECTUAL PROPERTY RIGHTS, BUSINESS PLANS, CUSTOMERS, AND PRODUCTS THAT ARE CONFIDENTIAL AND OF SUBSTANTIAL VALUE TO FIBERFIN, INC. YOU ARE HEREBY NOTIFIED THAT ANY DISSEMINATION, DISTRIBUTION, OR COPYING OF THIS CONFIDENTIAL INFORMATION WITHOUT PRIOR WRITTEN PERMISSION FROM FIBERFIN, INC. IS STRICTLY PROHIBITED. IN RECEIVING THIS INFORMATION, YOU AGREE THAT YOU SHALL NOT DISCLOSE ANY SUCH CONFIDENTIAL INFORMATION TO ANY THIRD PARTY AND SHALL TAKE EVERY REASONABLE PRECAUTION TO PROTECT SUCH CONFIDENTIAL INFORMATION FROM SUCH DISCLOSURE. IN THE EVENT YOU ARE ASKED TO RETURN THE CONFIDENTIAL INFORMATION TO FIBERFIN, INC., THERE SHALL BE NO USE OR DISCLOSURE BY YOU OF ANY CONFIDENTIAL INFORMATION.

ALL RIGHTS RESERVED BY FIBERFIN, INC.

UNLESS OTHERWISE SPECIFIED:

DIMENSIONS ARE IN MILLIMETERS

TOLERANCES:  
 ONE PLACE DECIMAL: ±0.2  
 TWO PLACE DECIMAL: ±0.1  
 ANGULAR: MACH: ±0.5°, BEND: ±1°

DIMENSIONS BASED UPON  
 ANSI Y 14.5M-1994

MATERIAL

FINISH

DO NOT SCALE DRAWING

	NAME	DATE
DRAWN	RH	3/31/2022
CHECKED		
ENG APPR.		
MFG APPR.		
Q.A.		
COMMENTS:		

**FiberFin**  
 9925 State Route 47  
 Unit A  
 Yorkville, IL 60560  
 U.S.A.

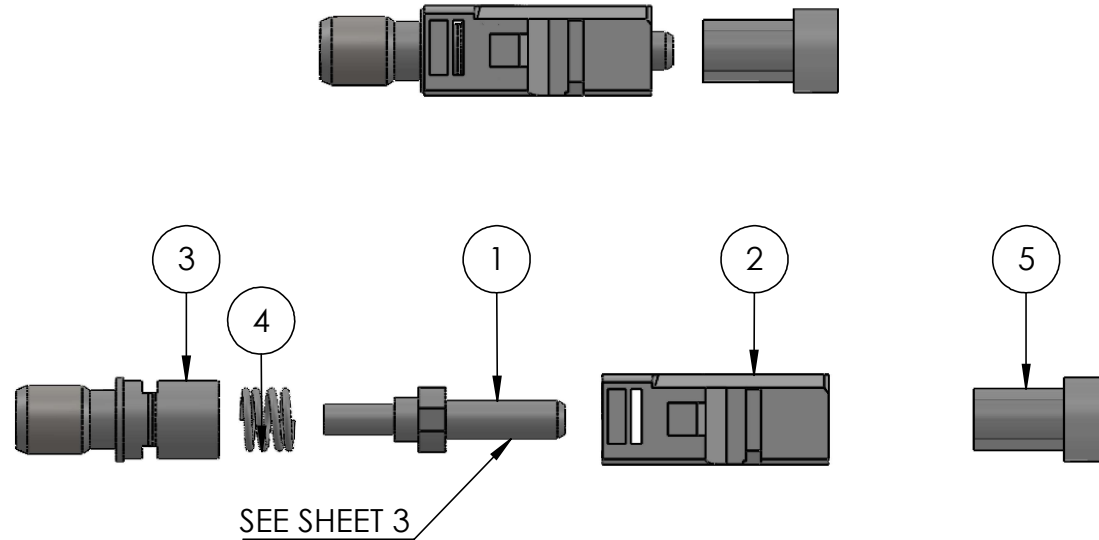
TITLE  
 SC Connector - 1mm POF

SIZE	PART NO.	REV
<b>A</b>	FF-SC1000-LS-R	<b>2</b>

SCALE: 2:1 WEIGHT: SHEET 1 OF 5

MUST MEET TIA/EIA 604-3A STANDARDS

REV.	DESCRIPTION	DATE	APPROVED
1	ADDED 1.3mm HOLE, UPDATED TOLERANCES ON FERRULE	2/24/2022	PM
2	UPDATED TOLERANCE & TAP ON CRIMP RING	5/3/2022	PM



ITEM #	PART #	DESCRIPTION	QTY.
1	FF-SC1000-LS_FERRULE	FiberFin Custom Ferrule	1
2	FF-SC1000-LS-CONNECTOR_BODY	SC Connector Plastic Frame - White	1
3	FF-SC1000-LS-STOPPER	SC Metal Stopper	1
4	FF-SC1000-LS-SPRING	SC Spring	1
5	FF-DC2.5-CLR	Dust Cap, 2.5mm, Clear Plastic	1

CONFIDENTIALITY NOTICE:

THIS INFORMATION IS OWNED BY FIBERFIN, INC. AND CONTAINS MATERIALS CONCERNING FIBERFIN, INC. INTELLECTUAL PROPERTY RIGHTS, BUSINESS PLANS, CUSTOMERS, AND PRODUCTS THAT ARE CONFIDENTIAL AND OF SUBSTANTIAL VALUE TO FIBERFIN, INC. YOU ARE HEREBY NOTIFIED THAT ANY DISSEMINATION, DISTRIBUTION, OR COPYING OF THIS CONFIDENTIAL INFORMATION WITHOUT PRIOR WRITTEN PERMISSION FROM FIBERFIN, INC. IS STRICTLY PROHIBITED. IN RECEIVING THIS INFORMATION, YOU AGREE THAT YOU SHALL NOT DISCLOSE ANY SUCH CONFIDENTIAL INFORMATION TO ANY THIRD PARTY AND SHALL TAKE EVERY REASONABLE PRECAUTION TO PROTECT SUCH CONFIDENTIAL INFORMATION FROM SUCH DISCLOSURE. IN THE EVENT YOU ARE ASKED TO RETURN THE CONFIDENTIAL INFORMATION TO FIBERFIN, INC., THERE SHALL BE NO USE OR DISCLOSURE BY YOU OF ANY CONFIDENTIAL INFORMATION.

ALL RIGHTS RESERVED BY FIBERFIN, INC.

UNLESS OTHERWISE SPECIFIED:	NAME	DATE
<b>DIMENSIONS ARE IN MILLIMETERS</b>	DRAWN	RH 3/31/2022
TOLERANCES:	CHECKED	
ONE PLACE DECIMAL: ±0.2	ENG APPR.	
TWO PLACE DECIMAL: ±0.1	MFG APPR.	
ANGULAR: MACH: ±0.5°, BEND: ±1°	Q.A.	
DIMENSIONS BASED UPON	COMMENTS:	
ANSI Y 14.5M-1994		
MATERIAL		
FINISH		
DO NOT SCALE DRAWING		

**FiberFin**  
**9925 State Route 47**  
**Unit A**  
**Yorkville, IL 60560**  
**U.S.A.**

TITLE  
**SC Connector - 1mm POF**

SIZE <b>A</b>	PART NO. FF-SC1000-LS-R	REV <b>2</b>
------------------	----------------------------	-----------------

SCALE: 2:1	WEIGHT:	SHEET 2 OF 5
------------	---------	--------------