

COMOSS GAPSW Series 8-Port Switch

Data Sheet

Layer 2 Switching with Web Management, 1000Base-X connectivity for small-sized businesses or home network switch.

Overview

The **GAPSW Series Switch** are 1000Base-X POF (Plastic Optical Fiber) and SFP(1000Base-LX, 1000Base-SX) GOF module , 1000Base-TX UTP converter. The **GAPSW Series Switch** includes Ethernet (RJ-45) connectors and OPTOLOCK® POF transceivers.

The **GAPSW Series Switch** are treated as IEEE 802.3ab and IEEE 802.3z Fast Ethernet repeaters. The **GAPSW Series Switch** are fully compatible for IEEE 802.3ab and IEEE 802.3z Fast Ethernet data communication standard.



Content

CONTENT	2
KEY FEATURES	3
SPECIFICATION	4
APPLICATION	5
LED INDICATIONS	6
ORDER INFORMATION	7

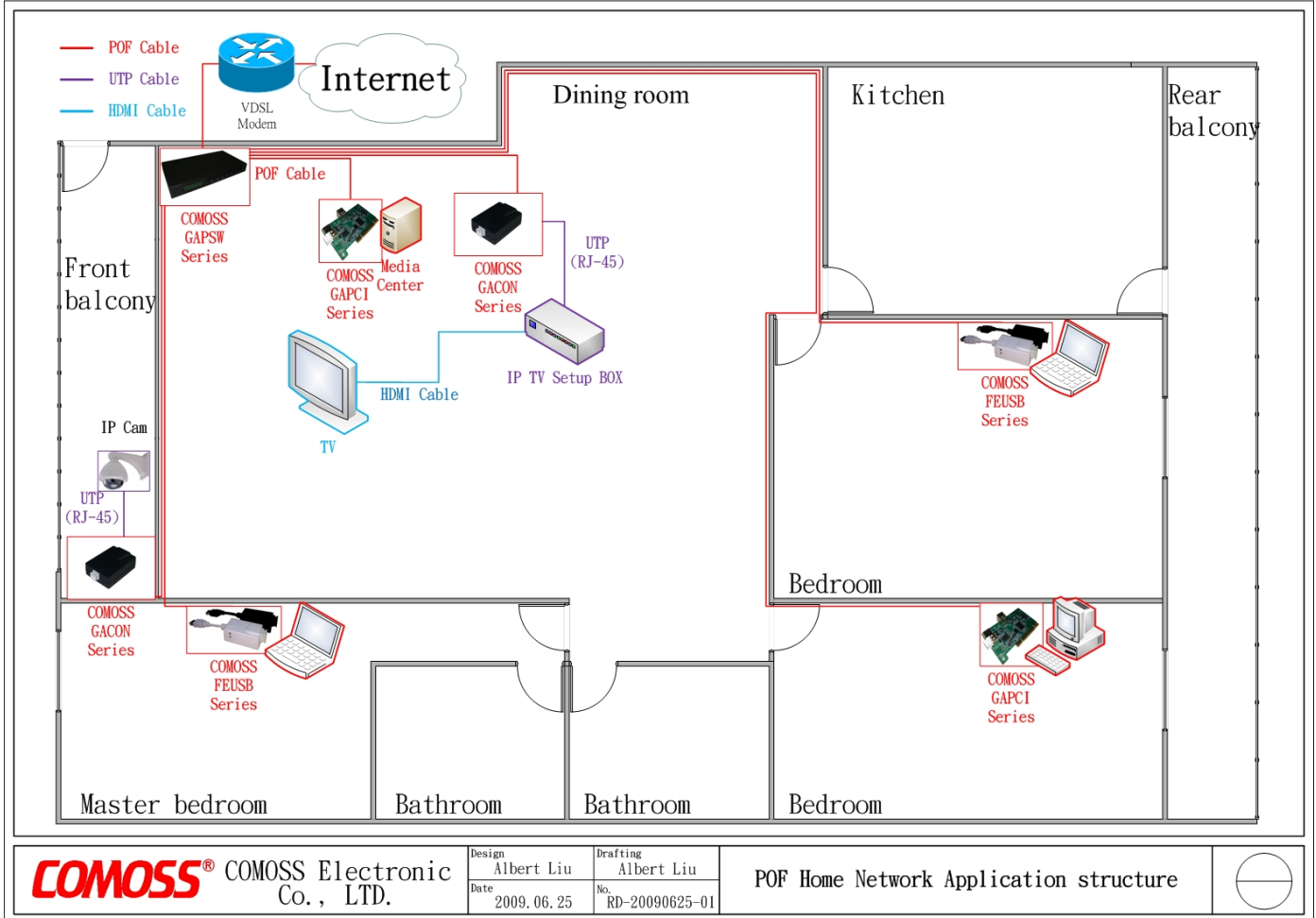
Key Features

- (1) Integrate 8 ports OPTOLOCK® 100Base-FX optical fiber transceivers.
- (2) Integrate 1 of UTP port which is dual-personality 10/100/1000 or SFP Gigabit ports.
- (3) Integrate 1 of UTP port which is dual-personality 10/100/1000 or gigabit POF ports.
- (4) Complies with the IEEE 802.3, IEEE 802.3u, IEEE 802.3z and IEEE 802.3ab Gigabit Ethernet standard.
- (5) All port supports flow control.
- (6) Supports broadcast storm filtering function.
- (7) Supports 1536/1552 byte maximum packet length.
- (8) Optional Web Management Interface.
- (9) IGMP Protocol support.
- (10) VLAN function support.
- (11) TRUNK function support.
- (12) Flow control with every port.
- (13) Basic QOS function support.
- (14) Configuration backup and restore function.

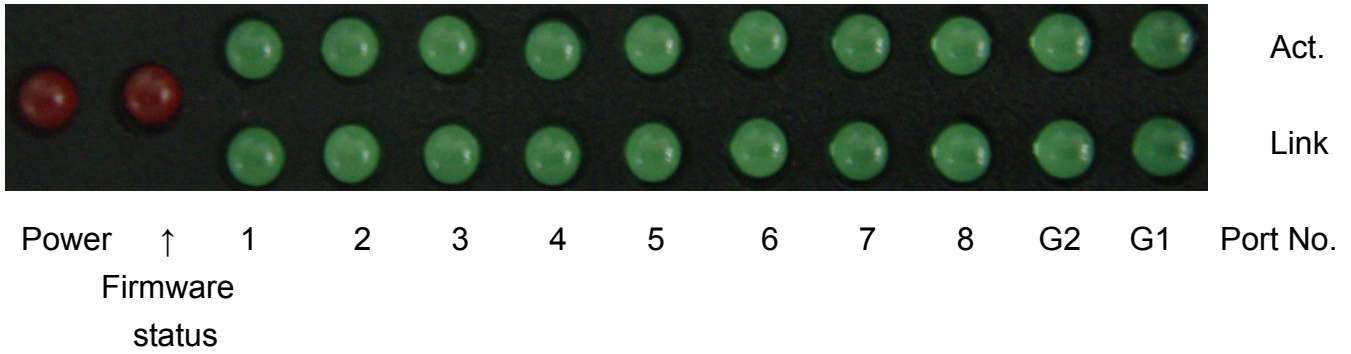
Specification

Parameter	Optical Port	Electrical Port
Standard compatibility	1. IEEE 802.3z 2. 100Base-FX 3. 1000Base-X	1. IEEE 802.3ab 2. 1000Base-T
Data Rate	1. 100Mbps(1~8 Port) 2. 1Gbps(1~2Giga port)	1Gbps
Transmitting Length	50M at POF interface	100M at copper interface
Interface connector	OPTOLOCK [®] POF transceiver	RJ-45 connector
Equipped cable	Optolup [®] OPTOLOCK [®] patch cord.	4 pairs CAT3/ CAT5/ CAT6 UTP or STP patch cord
LED Indication	Power status, POF port link/ active status and UTP Port link/ active status	
Operating Environment	Temperature: 0~50 °C Humidity: 10%~90%	
Storage Environment	Temperature: -40~70 °C Humidity: 10%~90%(Non-condensing)	
Operating Power	12V DC @ 1.5A Max.	
Power Consumption	18 W Max.	
DC Power Connector	OD: 5.5, ID: 2.1 mm DC plug suitable	
Dimensions (W x D x H)	280 x 150 x 26 mm	
Total Weight	1200g	
EMC Certification	FCC certification: Part 15 Subpart B 2. CE certification: EN55022/ 55024/ 61000-3-2/ 61000-3-3	

Application



LED Indications



Port Type	LED	Color	Status	Function
POF Ports	Link	Green	ON	100Mbps.
	Act	Green	Blink	When any packet is transmitting.
Giga Ports	Link	Green	ON/Slowly Blink(UTP)/Off(UTP)	1000Mbps/100Mbps(UTP)/10Mbps(UTP).
	Act	Green	Blink	When any packet is transmitting.

Order Information

GAPSW - O O X X
(1) (2) (3) (4)

(1) Converter Type :

- O : OPTOLOCK[®] POF Interface.

(2) Diameter Connect Type :

- 1 : 2.2mm OPTOLOCK[®] transceiver (Black color)
- 2 : 1.5mm OPTOLOCK[®] transceiver (White color)

(4) WMI :

- 1 : With web management interface embedded
- 2 : Without web management interface embedded

(3) Giga Transceiver Core Size :

- 1 : 1mm Large Core Size OPTOLOCK[®] Gigabit Transceiver
- 2 : 0.2mm Small Core Size OPTOLOCK[®] Gigabit Transceiver

P.S. OPTOCLOCK[®] is a registered by FIRECOMMS Ltd.