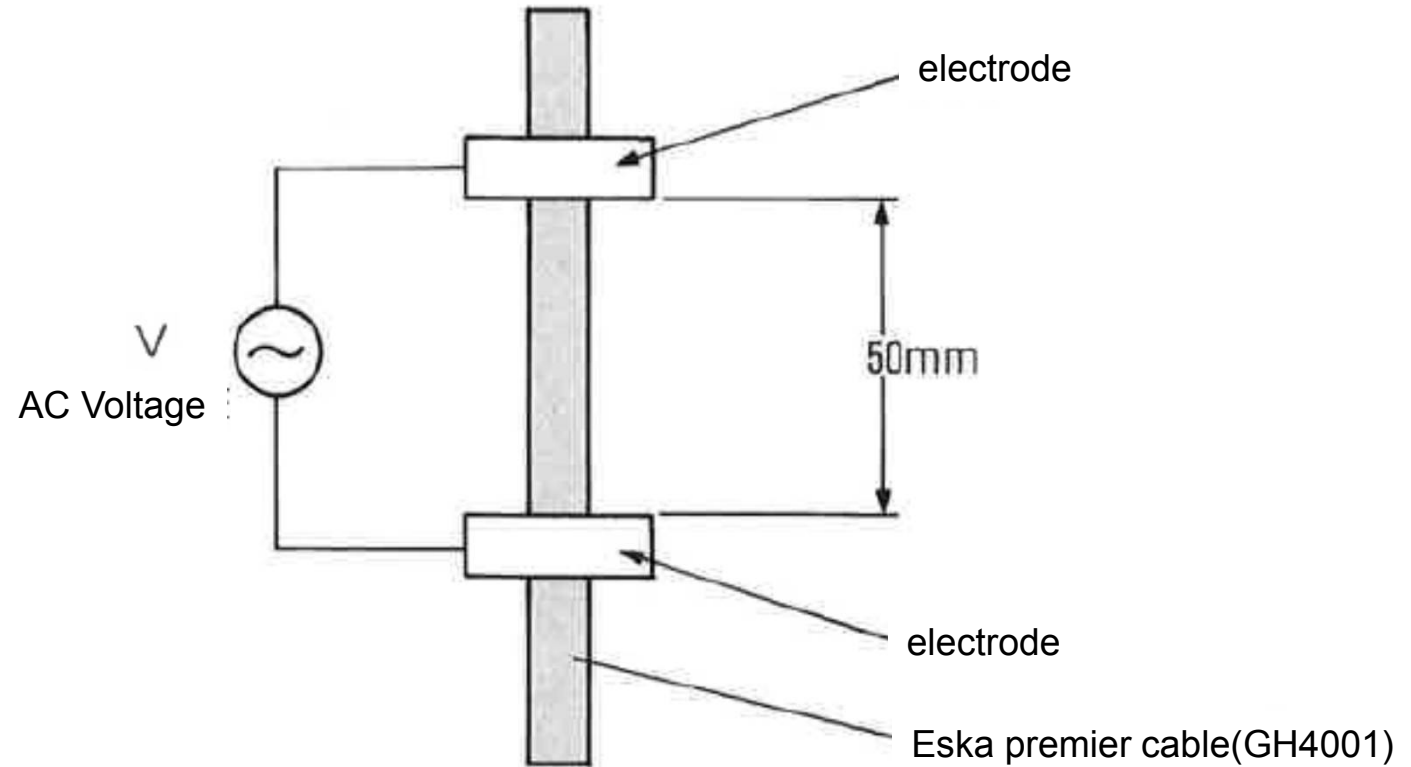


Voltage Resistance



Voltage Resistance

Item	Breakdown voltage (KV)		
	Minimum	Average	Maximum
GHTT4001	31	35	37
GH4001	32	35	37

Temperature: 25.8°C , Relative humidity: 53%RH