

# Product Specifications

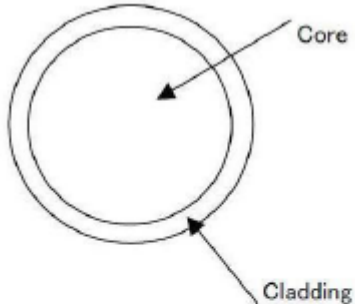
## Product No: Part# FF-HSN5.0

### 1. Scope

This specification covers basic requirements for the structure and optical performances of FF-HSN5.0.

Side Emitting Fiber, 5.0 mm dia. Fiber, Exterior appearance clear, Cable flexible

### 2. Structure

<p><b>Product Data:</b></p> <p>1. Fiber core material           MMA Polymer</p> <p>2. Cladding material            PTFE</p> <p>3. Minimum bending radius   6 x diameter</p> <p>4. Wavelength range         400-700nm</p> <p>5. Interior Refractive Index   1.475</p> <p>6. Exterior Refractive Index   1.375</p>	
--	--

### Specifications:

Item		Unit	Index	Testing method
Structural Parameters	Core diameter	mm	4.6	JIS C 6863
	Cladding diameter	mm	5	
	Cladding non-circularity	%	≤6	
	Length	m/roll	100	
Optical Properties	Attenuation	dB/km	≤700	650nm JIS C 6863
	Numerical Apertures	/	0.65	
	Attenuation (95% RH)	dB/km	300-350	
Mechanical Properties	Repeated bending (200times)	dB	Loss added ≤2	JIS C 6861
	Tensile strength	N	70	
	Twisting (5times)	dB	Loss added ≤2	
	Impacting (0.4N/meter)	dB	Loss added ≤2	

Operating temperature: -40°C to 70°C

Recommended Storage temperature: -10°C to 35°C